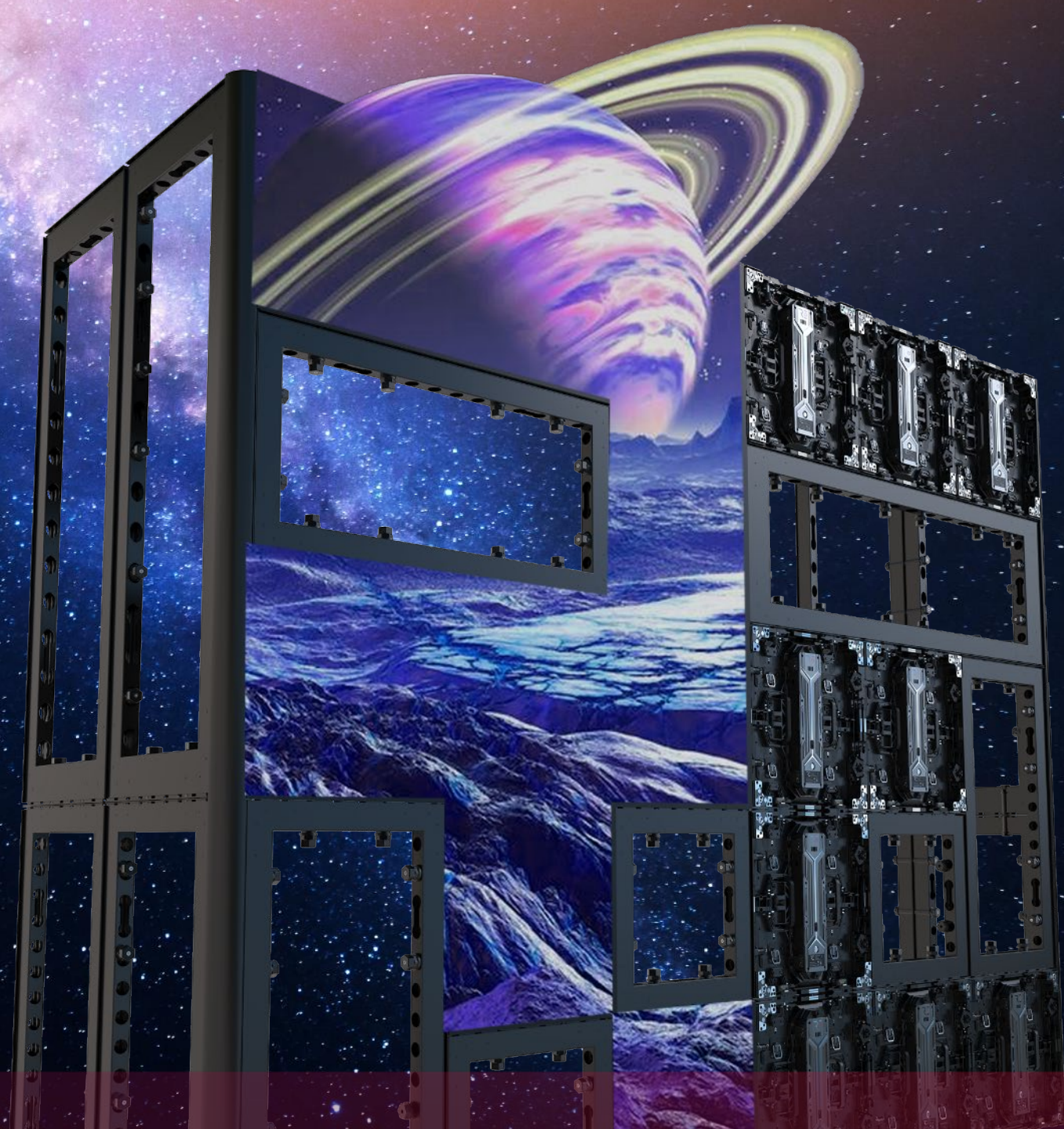


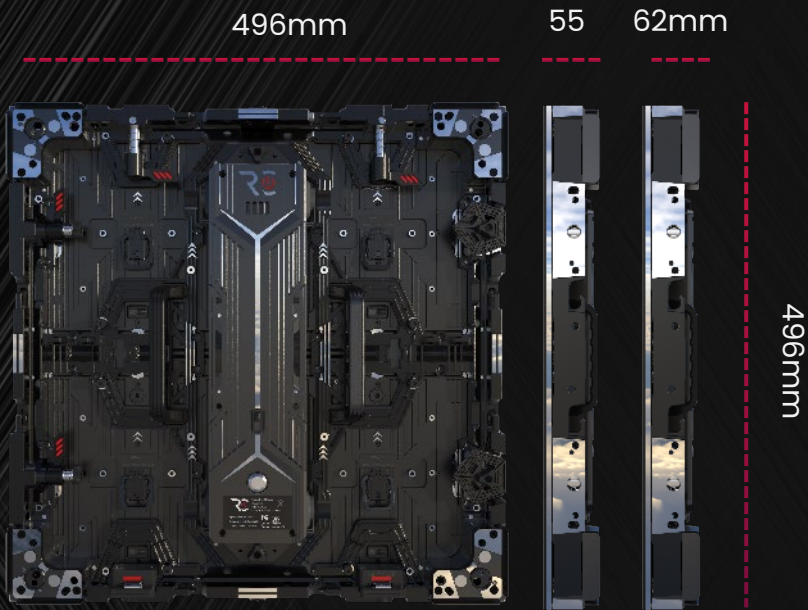
RE SERIES

Compatible with 55/62mm frame system
Exhibition LED 496x496mm

SEG Slot, Cover Plate, Backlight Strip
And even Tray Function

Extend creativity to infinity





RE SERIES

- 55/62mm Frame compatible
- S-lock optional for safety maintenance
- Front / Rear Maintenance
- Diecasting aluminum
- Backlight Strip
- SEG / Cover Plate
- Tray Function

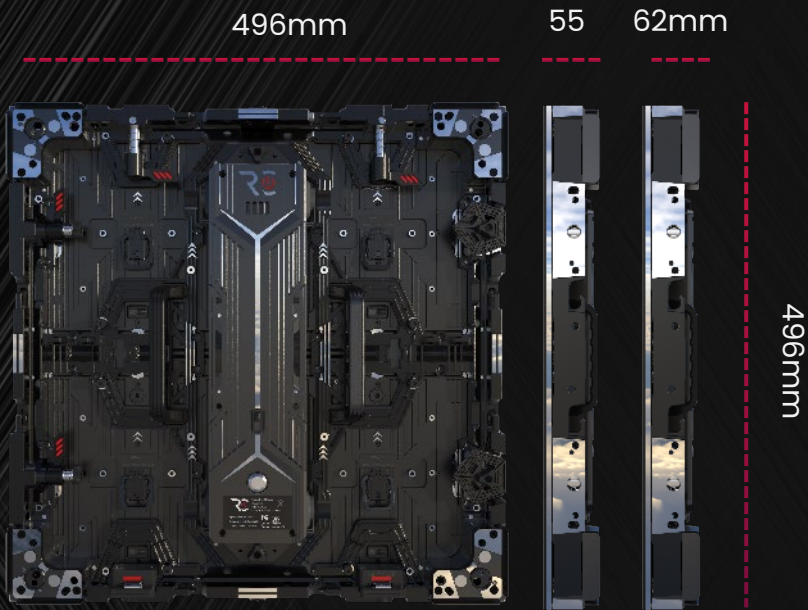
EXHIBITION

PITCH
SERIES
MicroX mode (cd/m²)
DISTANCE
PROTECTION
LED KIND
PIXEL DENSITY (dots/m²)
TECHNOLOGY
REFRESH RATE
VIEWING ANGLE
CONTRAST
MODULE SIZE
CABINET SIZE
CABINET RES (px)
SYSTEM
DRIVE MODE (Scan)
ENVIRONMENT
MAX POWER (w/m²)
VOLTAGE
WEIGHT
CERTIFICATION

INDOOR SPECIFICATION

P1.29	P1.55	P1.93	P2.58
RE129i	RE155i	RE193i	RE258i
>800	>800	>800	>800
>1.29m	>1.55m	>1.93m	>2.58m
X-GOB	X-GOB	X-GOB	X-GOB
SMD1010	SMD1010	SMD1010	SMD1010
599,376	416,025	268,324	150,232
	MicroX		
	1920Hz-3840Hz		
	160°(H) 160°(V)		
	6000:1		
	248 x 248 mm		
	496 x 496 x 55 mm / 62 mm (19.5" x 19.5" x 2.2" / 2.4")		
384 x 384	320 x 320	256 x 256	192 x 192
	Stacking / Hanging / Stitching		
1/32	1/32	1/32	1/24
	IP40 / IP20		
	(CCT) 600		
	AC 100-240V		
	9.2kg/Panel(No extensions)		

CE, EMC, TUV-EMC, FCC, ETL, PSE, CCC, RoHS



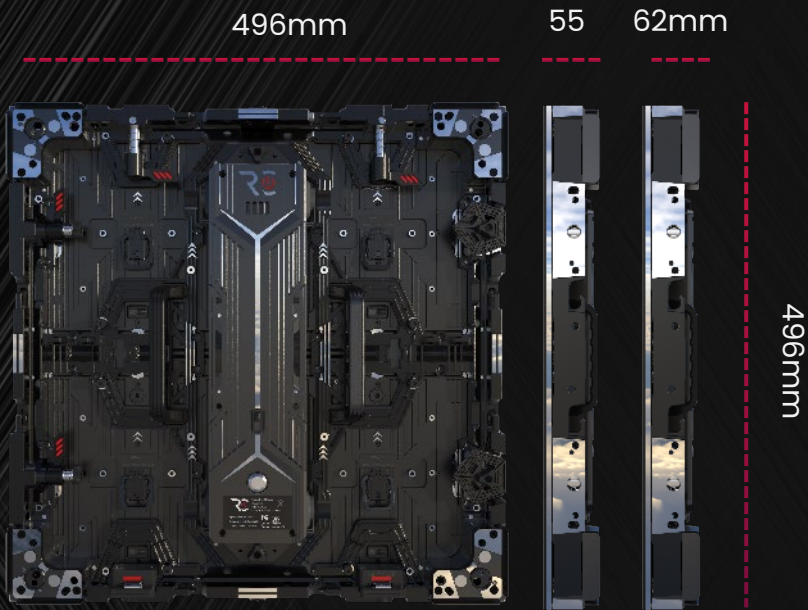
RE SERIES

- 55/62mm Frame compatible
- S-lock optional for safety maintenance
- Front / Rear Maintenance
- Diecasting aluminum
- Backlight Strip
- SEG / Cover Plate
- Tray Function

EXHIBITION

INDOOR SPECIFICATION

PITCH	P1.24	P1.55
SERIES	RE124i	RE155i
MicroX mode (cd/m ²)	>800	>800
DISTANCE	>1.24m	>1.55m
LED KIND	TOP 2 in 1	TOP 4 in 1
PIXEL DENSITY (dots/m ²)	649,636	416025
REFRESH RATE	1920Hz-3840Hz	
VIEWING ANGLE	160°(H) 160°(V)	
CONTRAST	6000:1	
MODULE SIZE	248 x 248 mm	
CABINET SIZE	496 x 496 x 55 mm / 62 mm (19.5" x 19.5" x 2.2" / 2.4")	
CABINET RES (px)	400 x 400	320 x 320
SYSTEM	Stacking / Hanging / Stitching	
DRIVE MODE (Scan)	1/40	
ENVIRONMENT	IP40 / IP20	
MAX POWER (w/m ²)	(CCT) 600	
VOLTAGE	AC 100-240V	
WEIGHT	9.2kg/Panel(No extensions)	
CERTIFICATION	CE, EMC, TUV-EMC, FCC, ETL, PSE, CCC, RoHS	



RE SERIES

- 55/62mm Frame compatible
- S-lock optional for safety maintenance
- Front / Rear Maintenance
- Diecasting aluminum
- Backlight Strip
- SEG / Cover Plate
- Tray Function

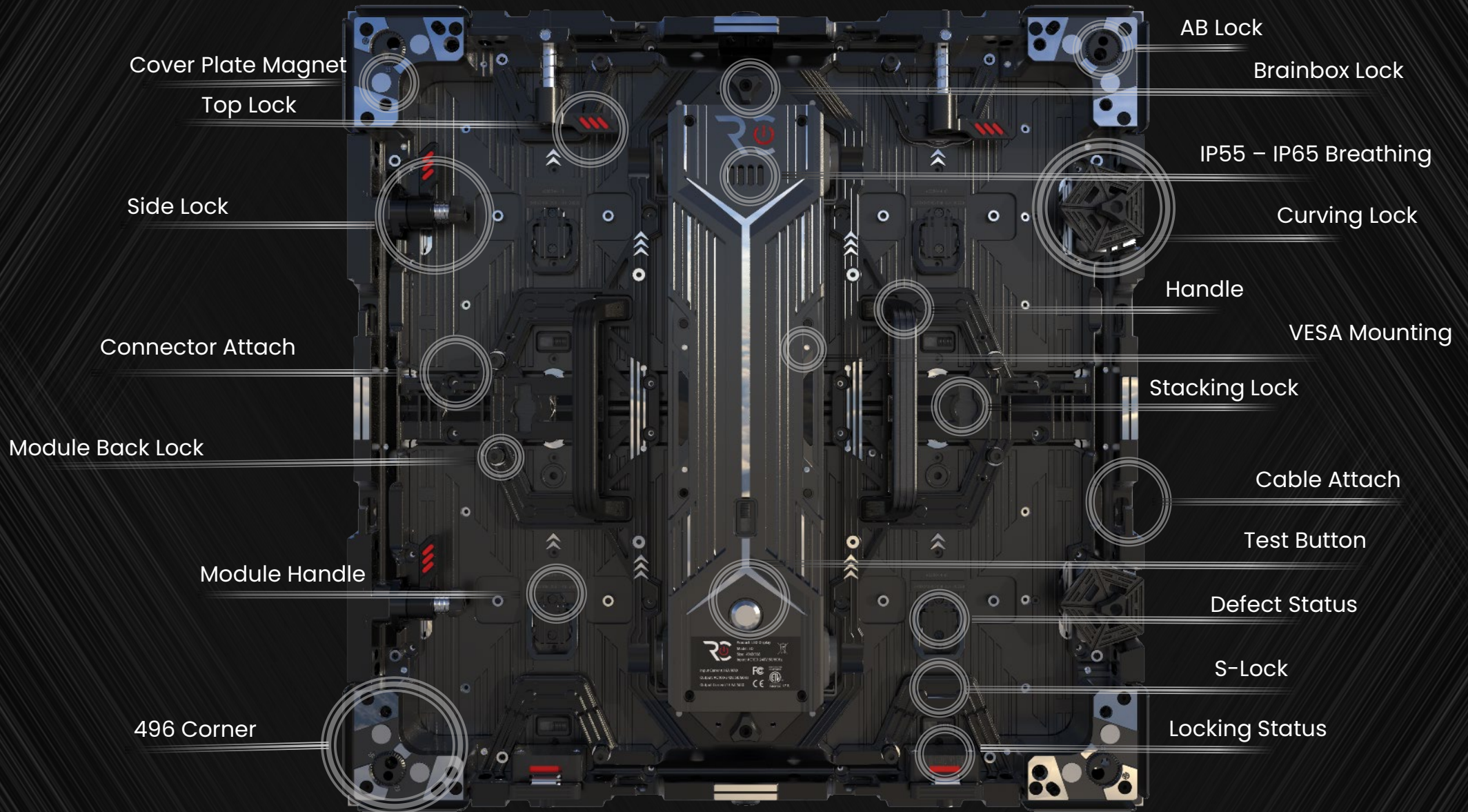
EXHIBITION

PITCH
SERIES
SMD mode (cd/m ²)
MicroX mode (cd/m ²)
DISTANCE
LED KIND
PROTECTION
PIXEL DENSITY (dots/m ²)
TECHNOLOGY
REFRESH RATE
VIEWING ANGLE
CONTRAST
MODULE SIZE
CABINET SIZE
CABINET RES (px)
SYSTEM
DRIVE MODE (Scan)
ENVIRONMENT
MAX POWER (w/m ²)
VOLTAGE
WEIGHT
CERTIFICATION

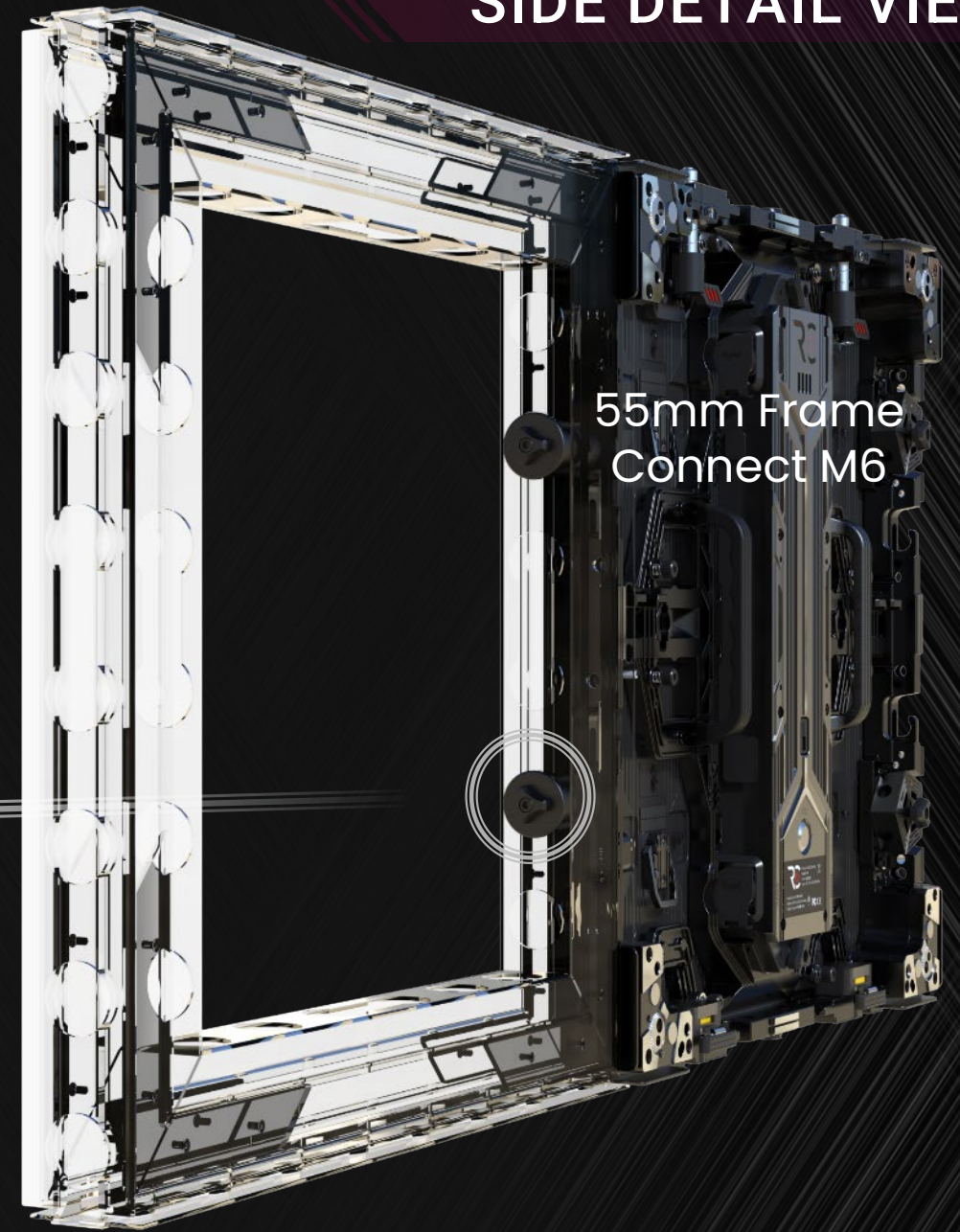
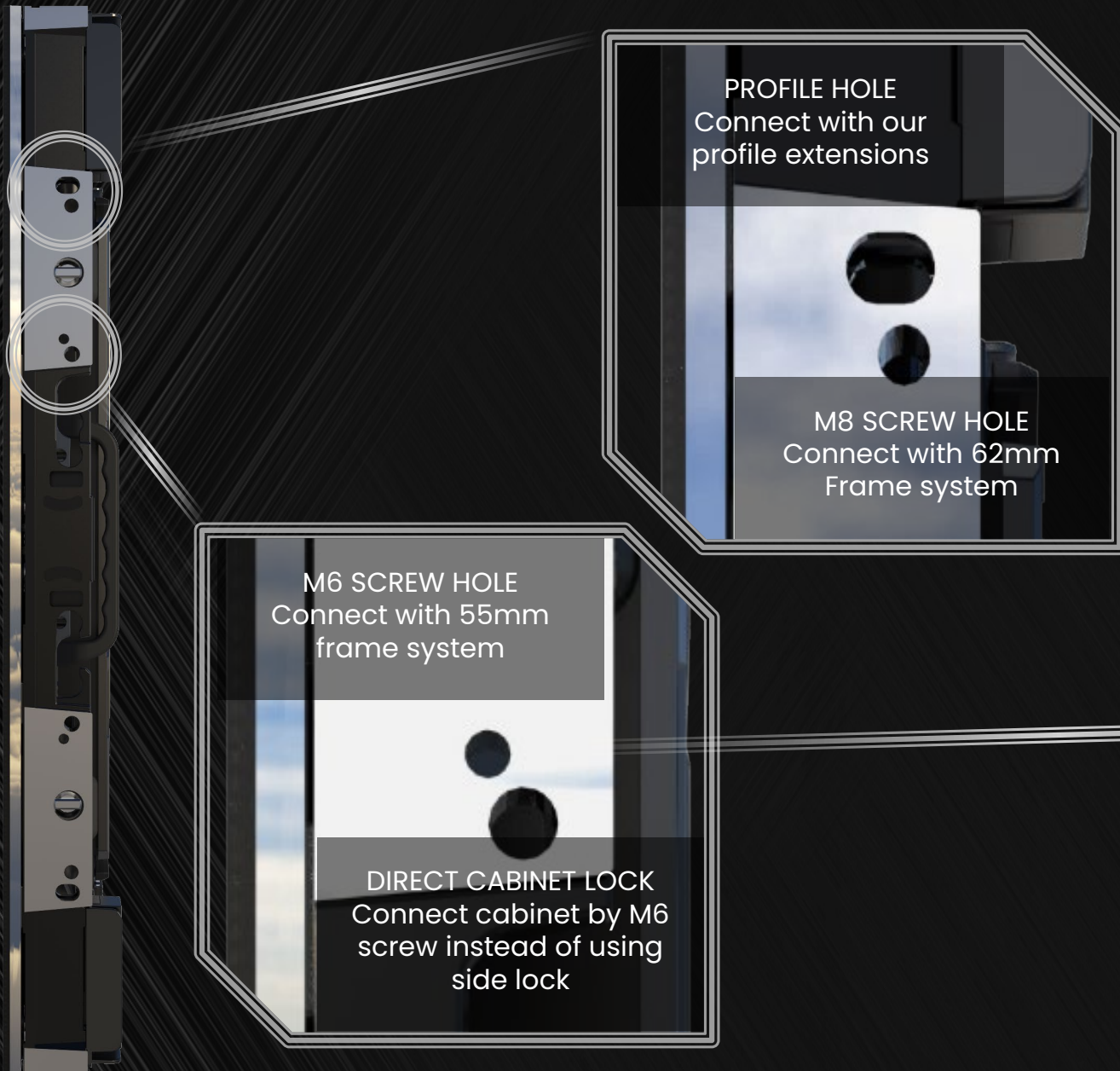
OUTDOOR SPECIFICATION


P1.55	P1.93	P2.58	P2.95	P3.875
RE155d	RE193d	RE258d	RE295d	RE387d
-	-	-	-	>3500
>3500	>3500	>3500	>3500	-
>1.55m	>1.93m	>2.58m	>2.95m	>3.87m
MicroX	MicroX	MicroX	MicroX	SMD1921
X-GOB	X-GOB	X-GOB	X-GOB	MASK / X-GOB
416,025	268,324	150,232	114,244	66,564
		MicroX		
		1920Hz-3840Hz		
		160°(H) 160°(V)		
		6000:1		
		248 x 248 mm		
		496 x 496 X 55 mm / 62 mm (19.5" x 19.5" x 2.2" / 2.4")		
320 x 320	256 x 256	192 x 192	168 x 168	128 x 128
		Stacking / Hanging / Stitching		
1/32	1/32	1/24	1/14	1/8
		IP65 / IP54		
	(CCT) 600		(CAT) 800	
		AC 100-240V		
		9.2kg/Panel(No extensions)		
		CE, EMC, TUV-EMC, FCC, ETL, PSE, CCC, RoHS		

REAR VIEW

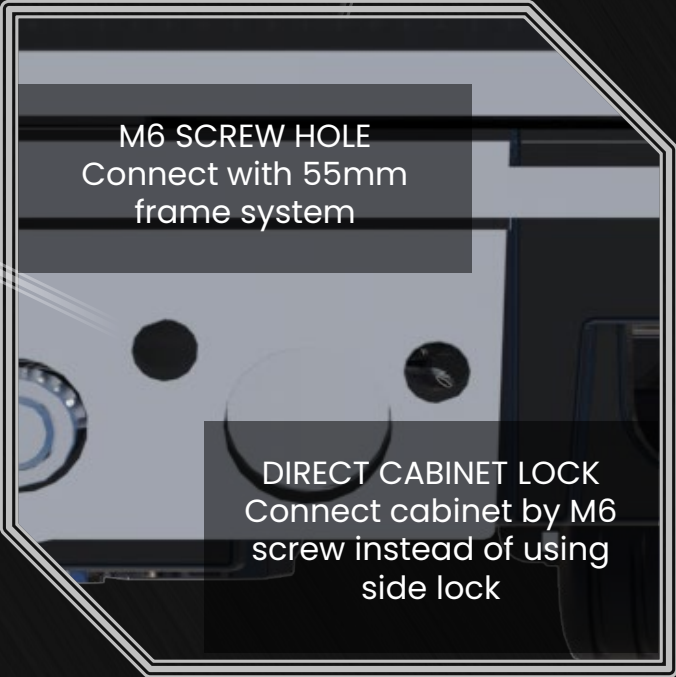


SIDE DETAIL VIEW

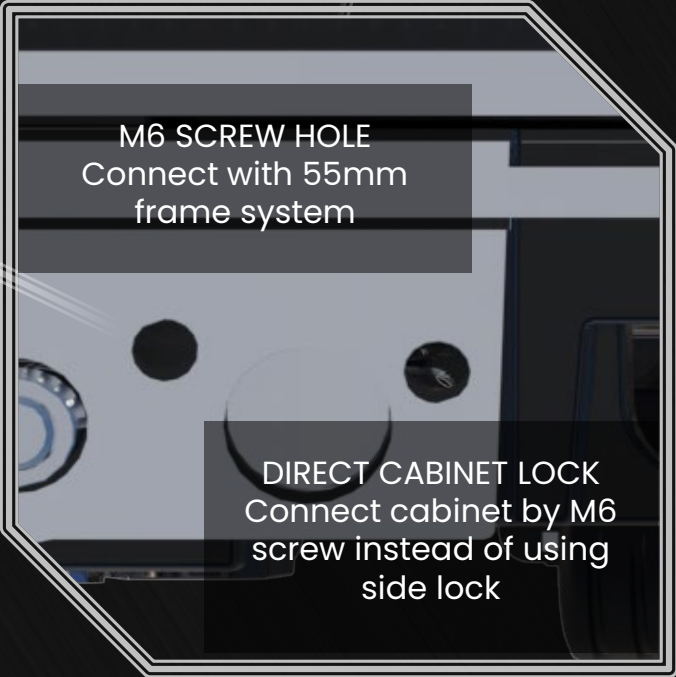




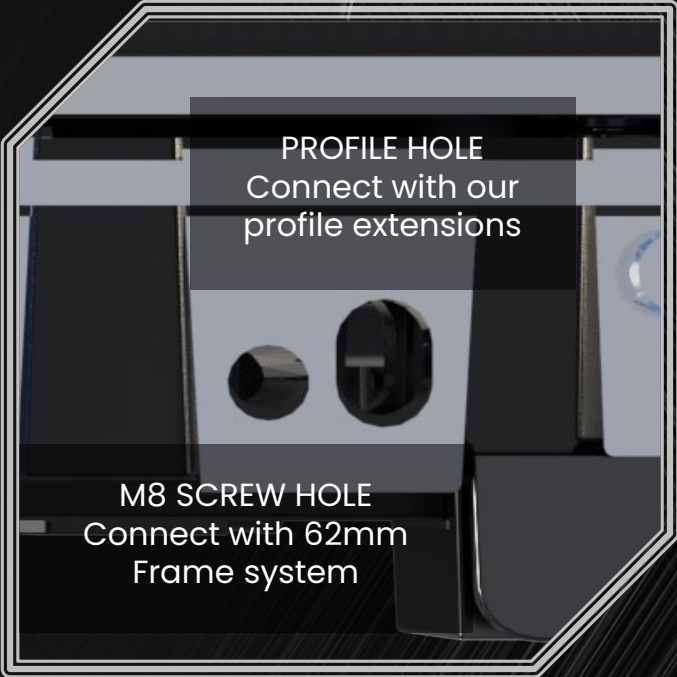
55mm Frame
connect M6



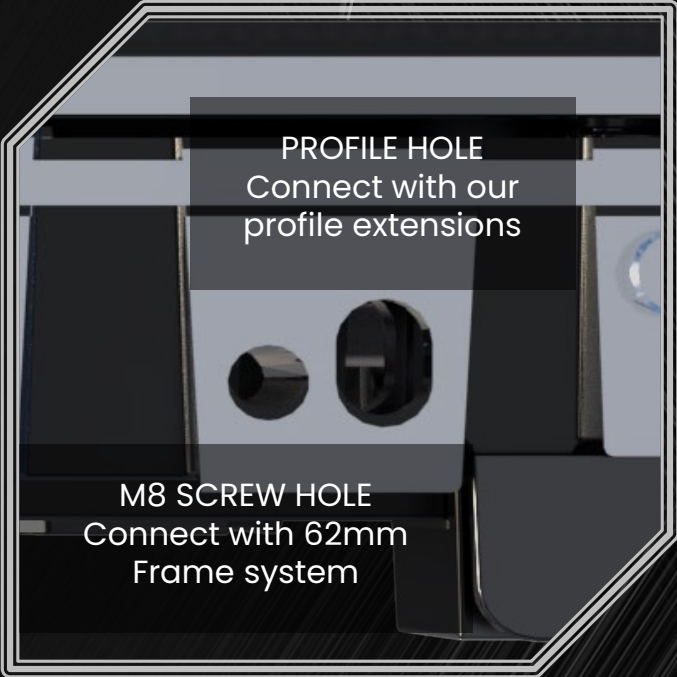
M6 SCREW HOLE
Connect with 55mm
frame system



DIRECT CABINET LOCK
Connect cabinet by M6
screw instead of using
side lock

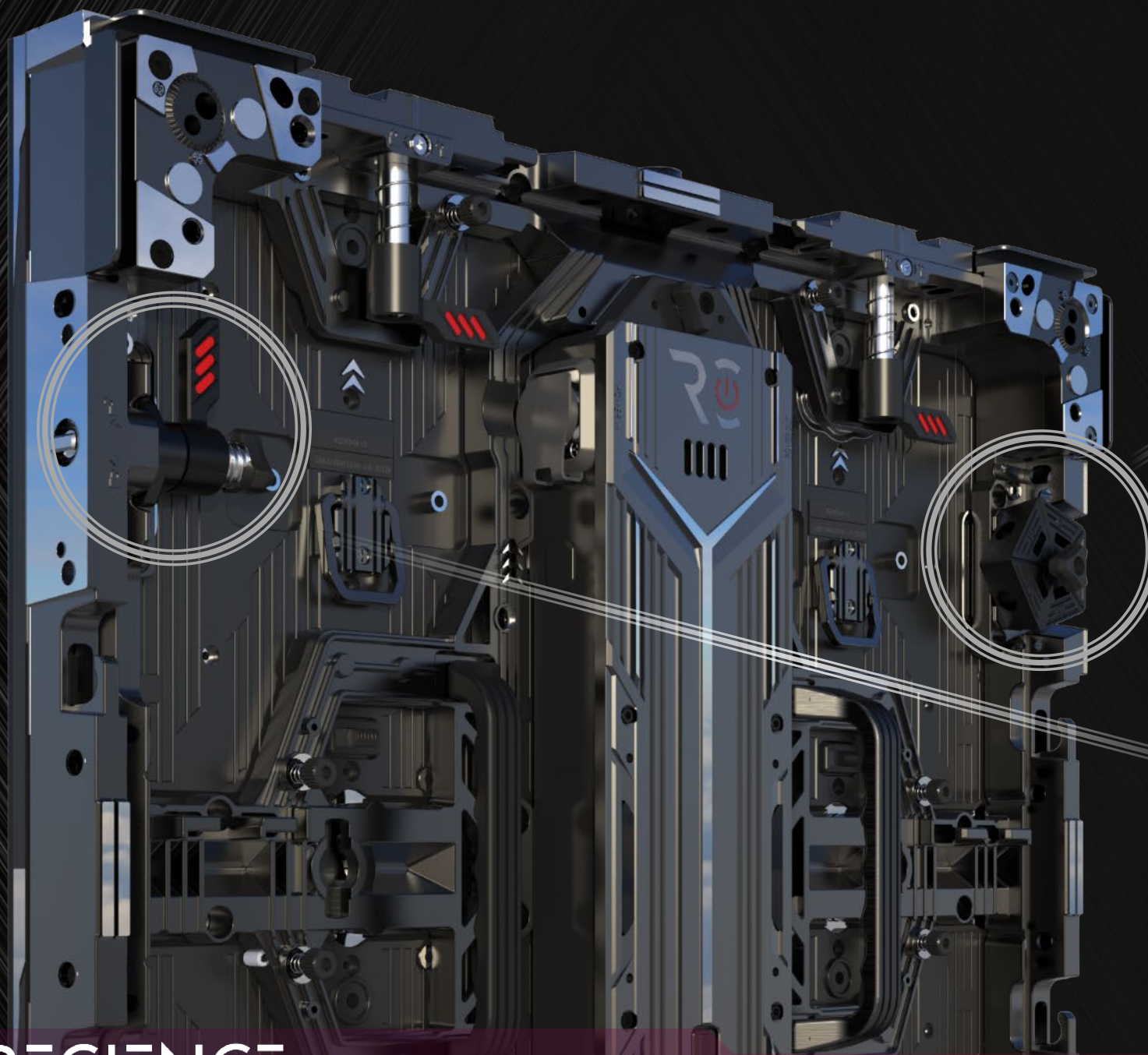


PROFILE HOLE
Connect with our
profile extensions



M8 SCREW HOLE
Connect with 62mm
Frame system

SIDE LOCK



Curving Lock
10°, 7.5°, 5°, 2.5°, 0°



Side Lock



496 Corner

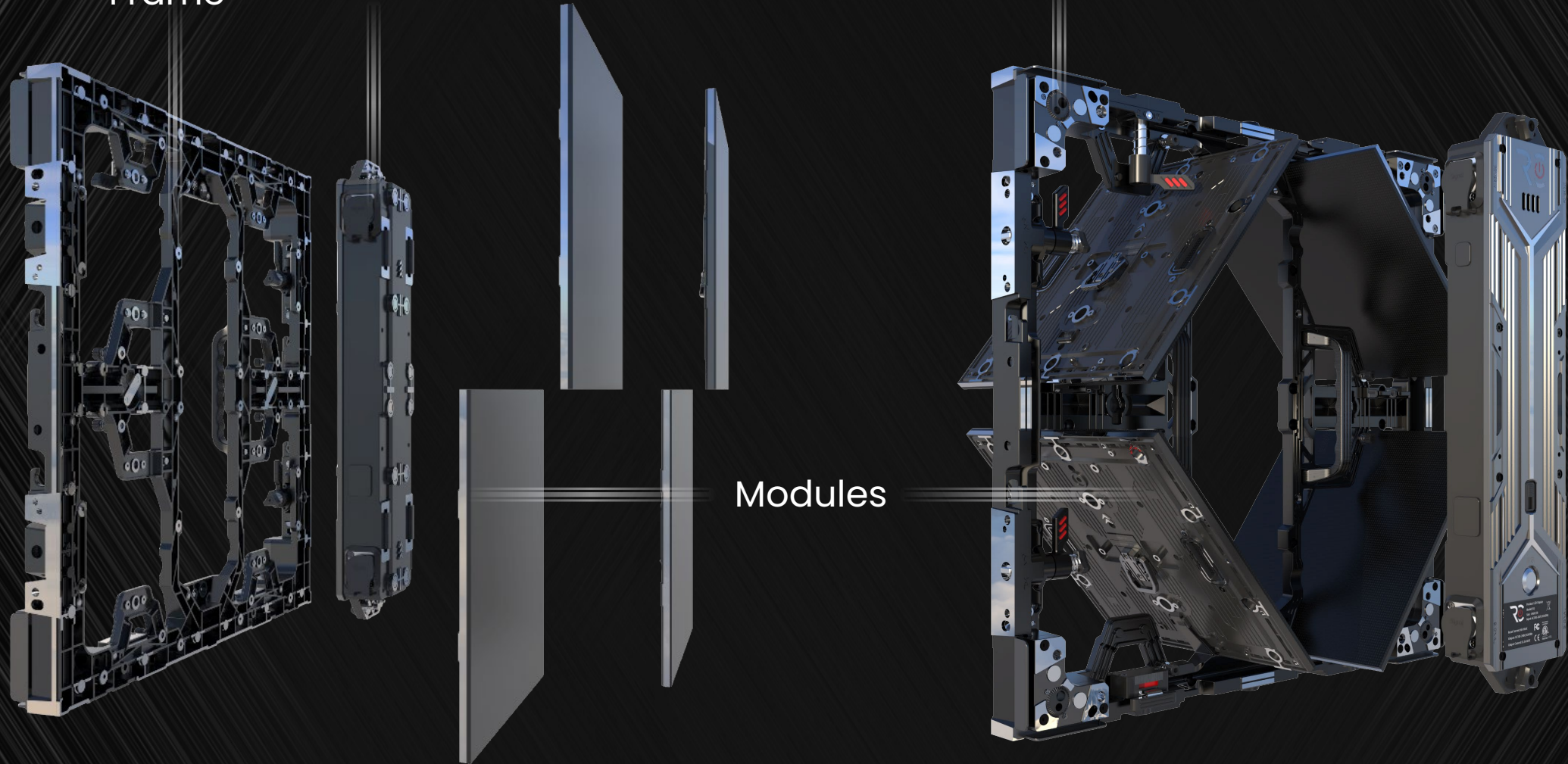
Frame

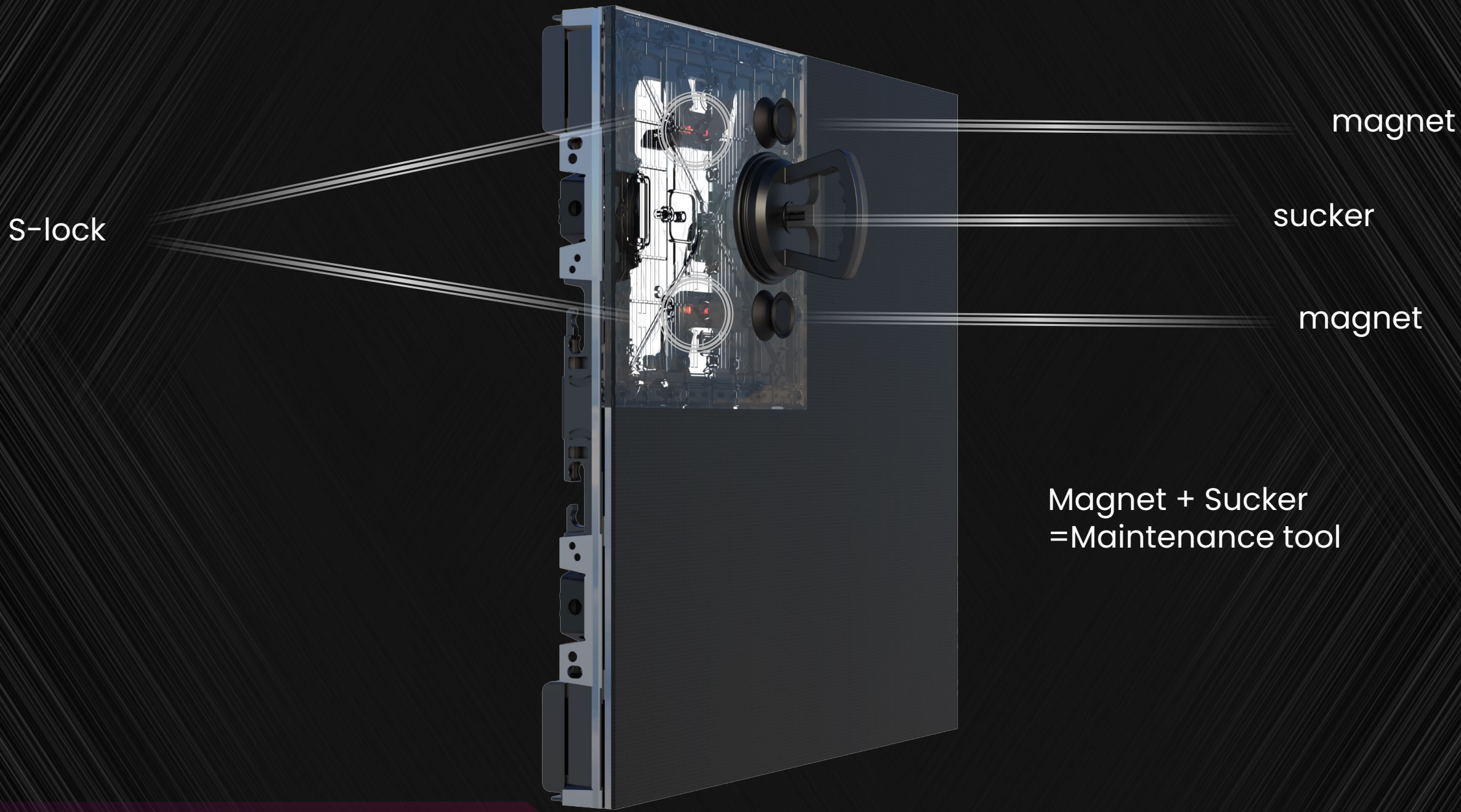
Brainbox

Modules

Front Maintenance

Back Maintenance





STACKING SYSTEM

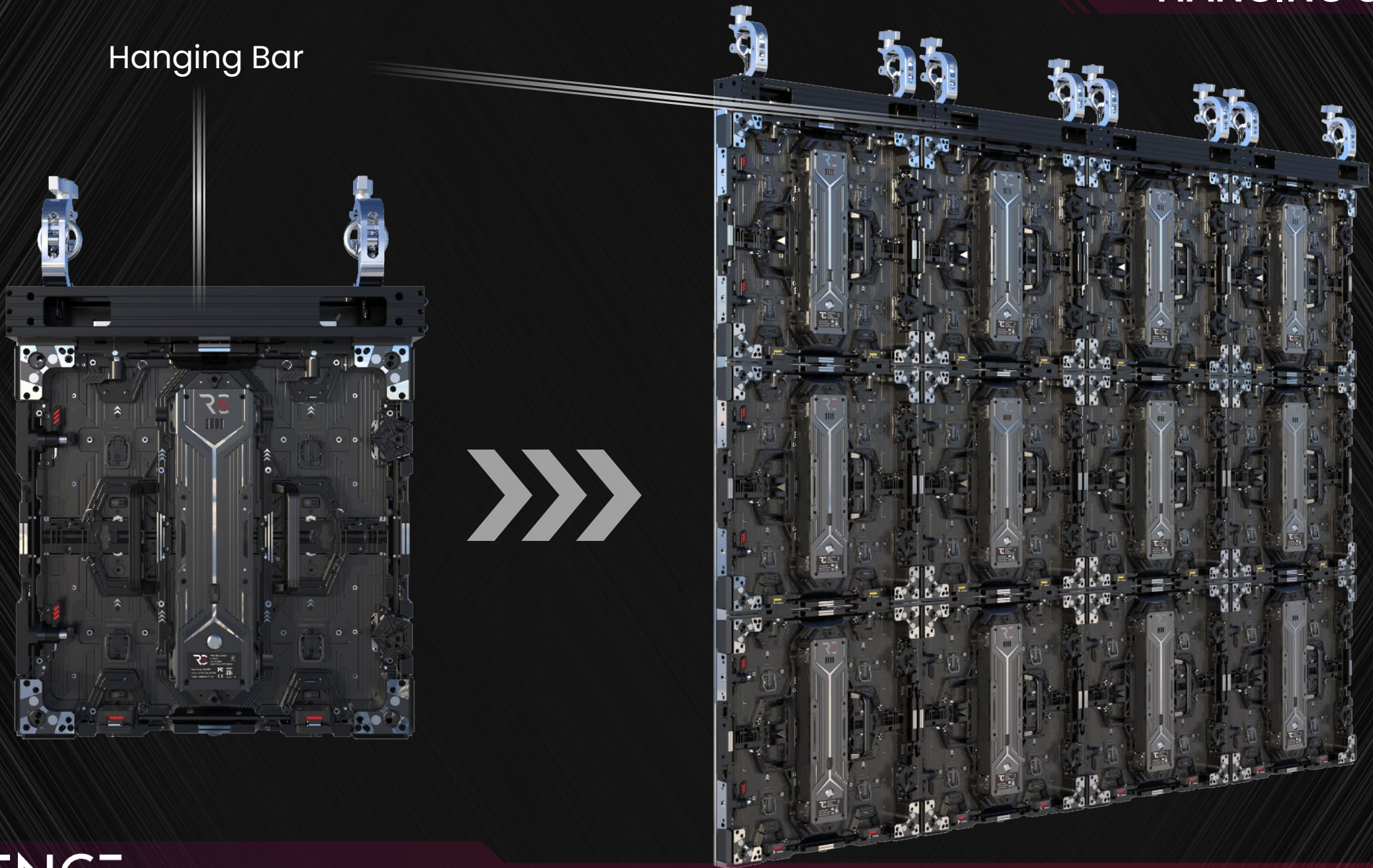


Stacking Bar

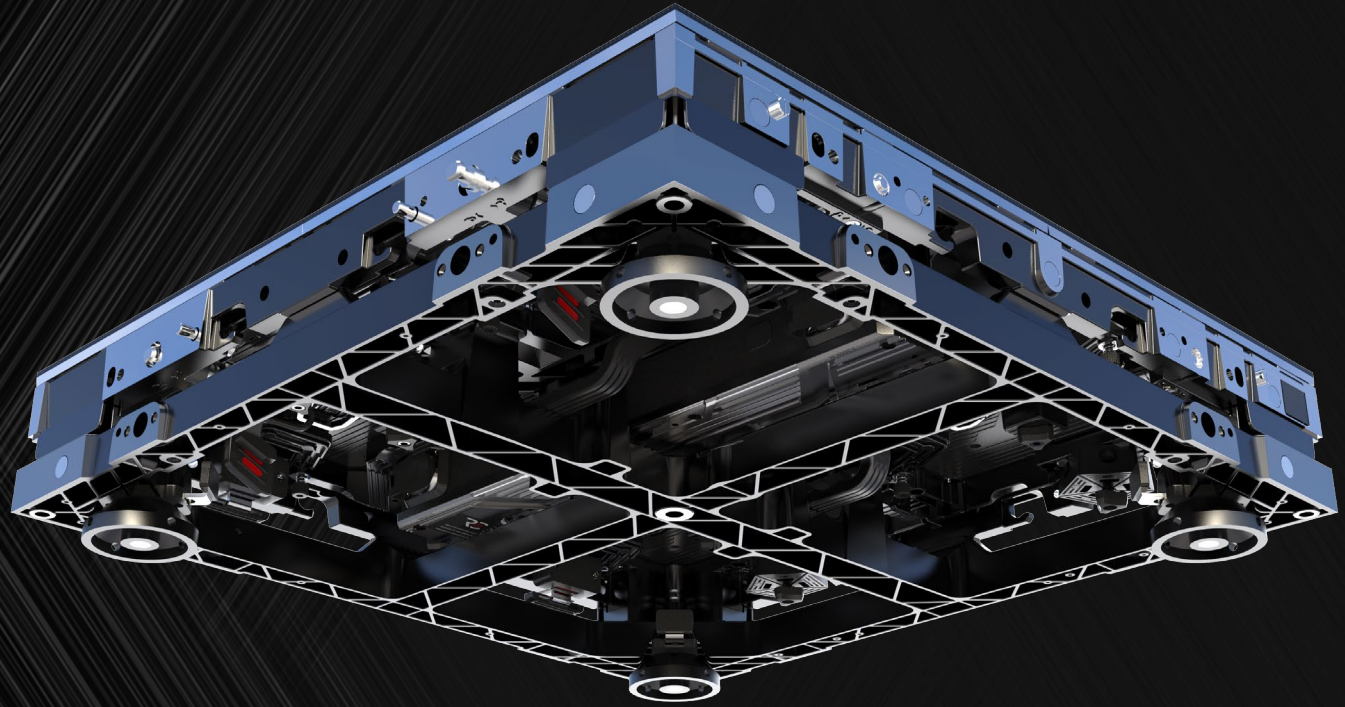


Stacking Lock

Hanging Bar

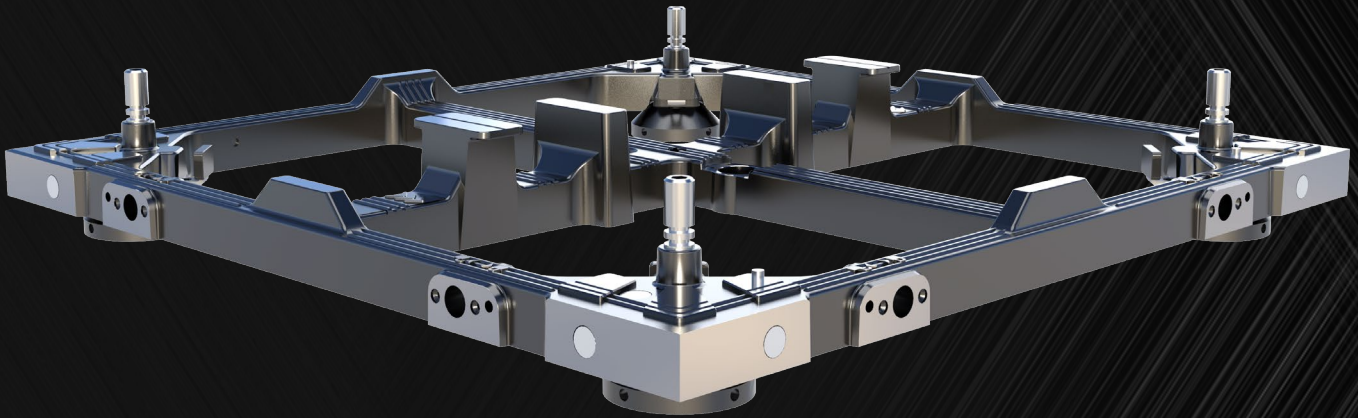


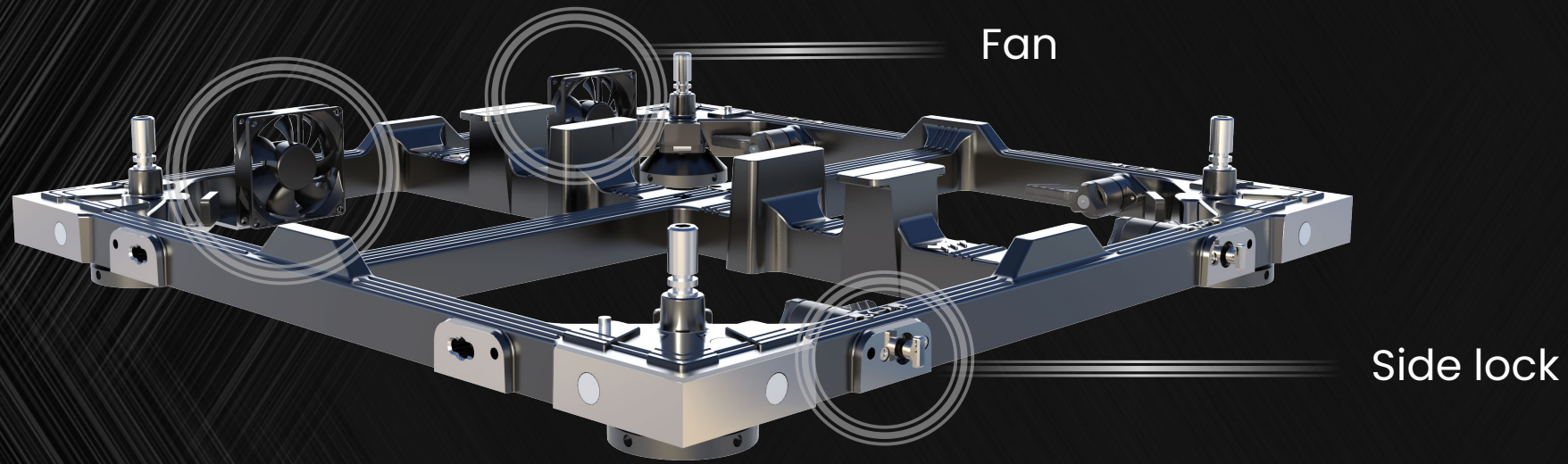
STANDARD FLOOR SYSTEM



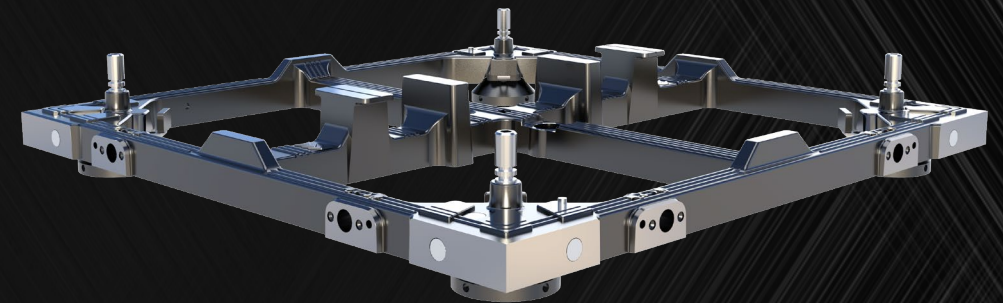
Easy build

Floor structure without accessories

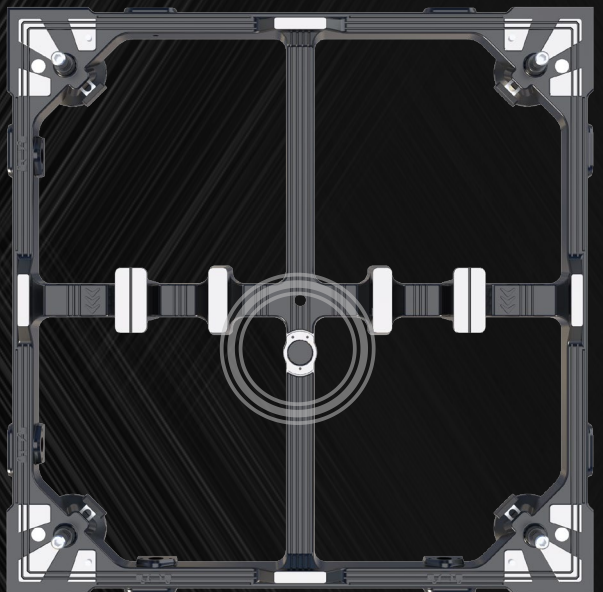




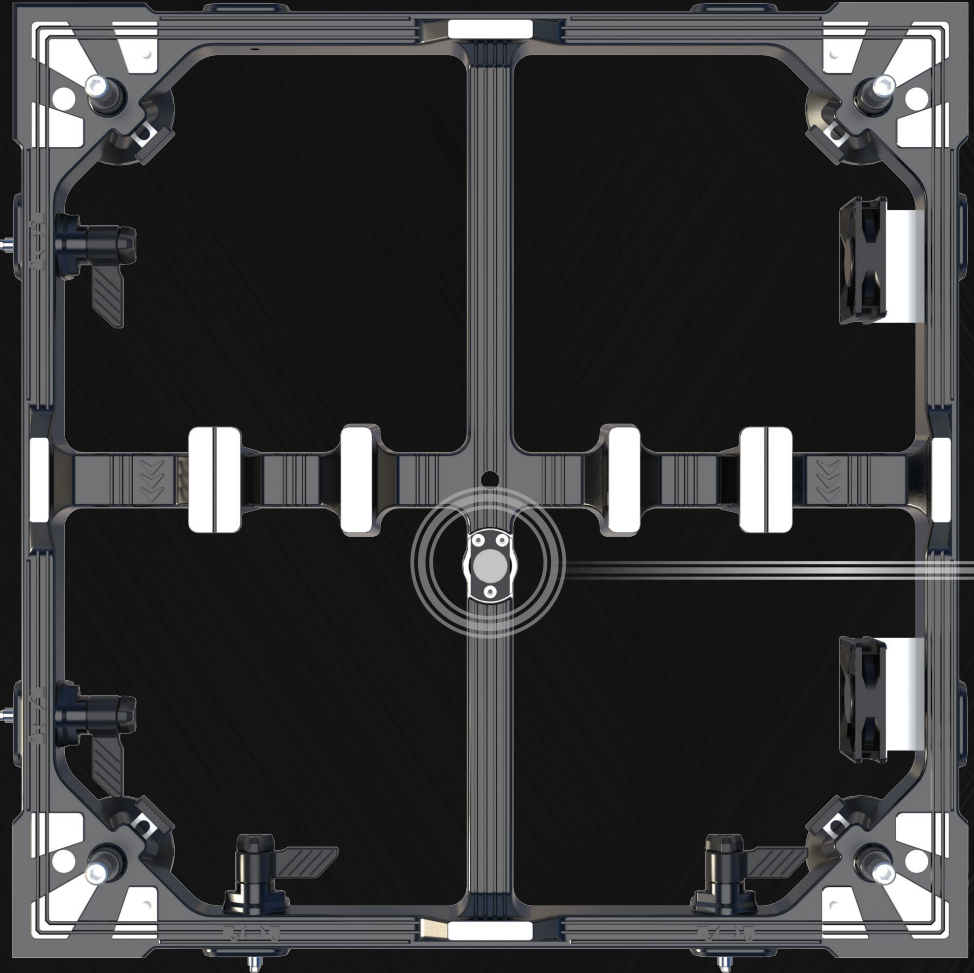
- Upgraded floor tile construction adds fan and side lock
- Fan for Heat dissipation
- Side lock for convenience, you can just lock the Floor structure instead of lock the cabinet.



Floor structure without accessories



Floor structure without grader



With grader
Can easily adjust Flatness

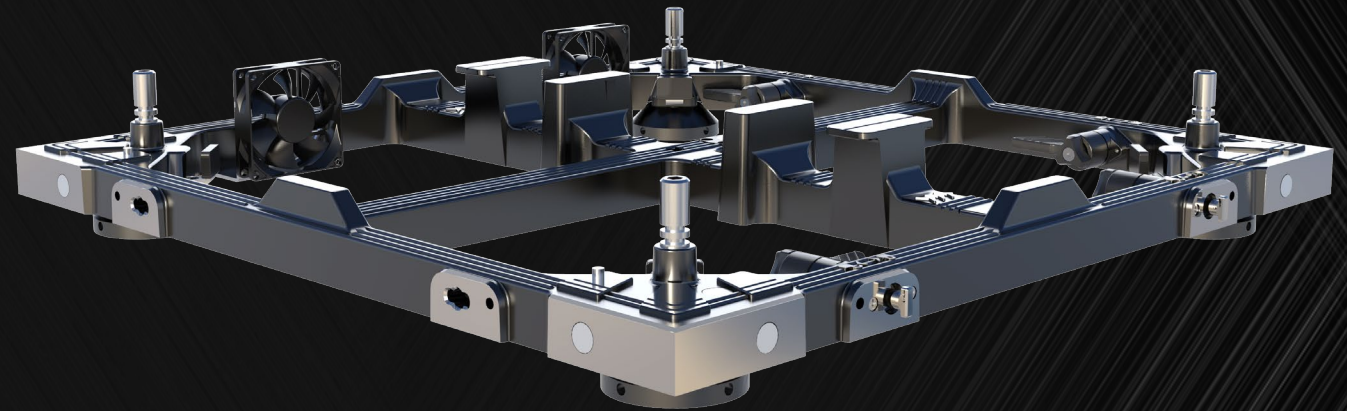


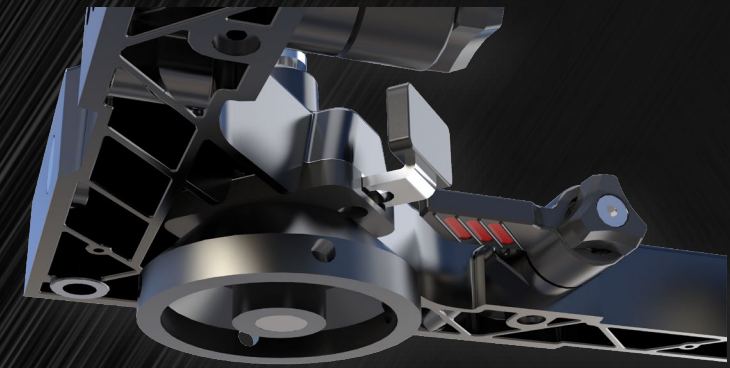
grader



Better Connection
Better alignment

Floor structure with
full accessories



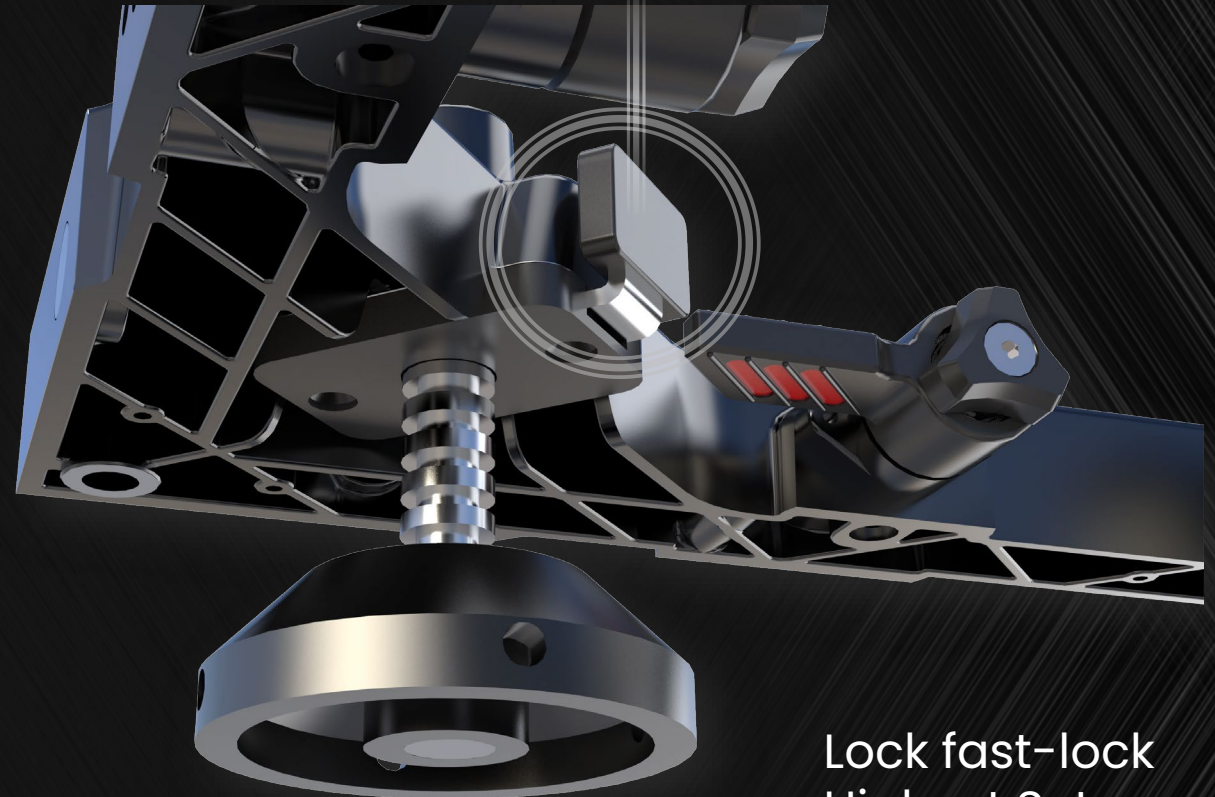


Lowest Set



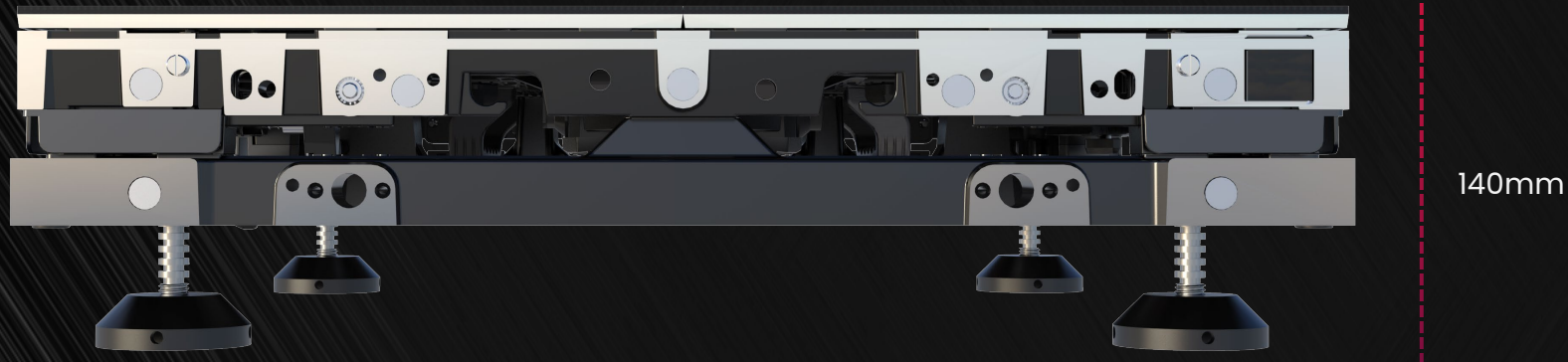
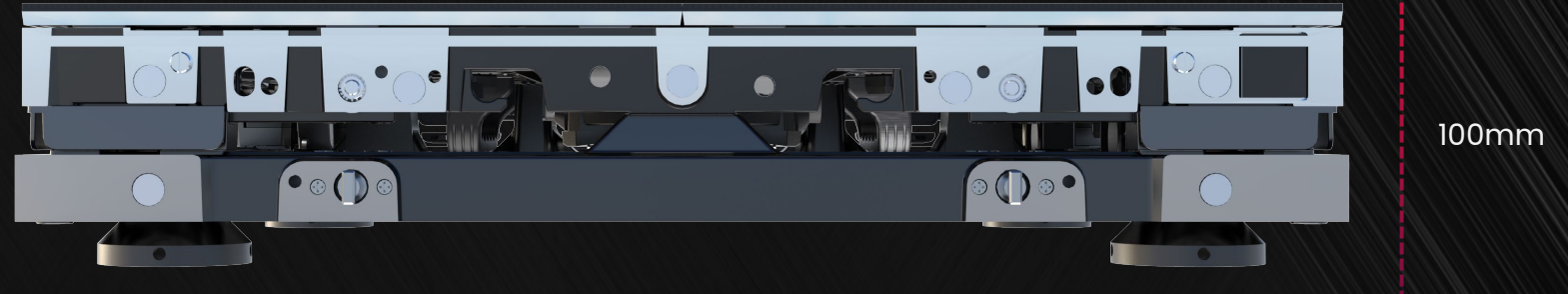
Loose fast-lock
And adjust foot cup

Push the adjustment button



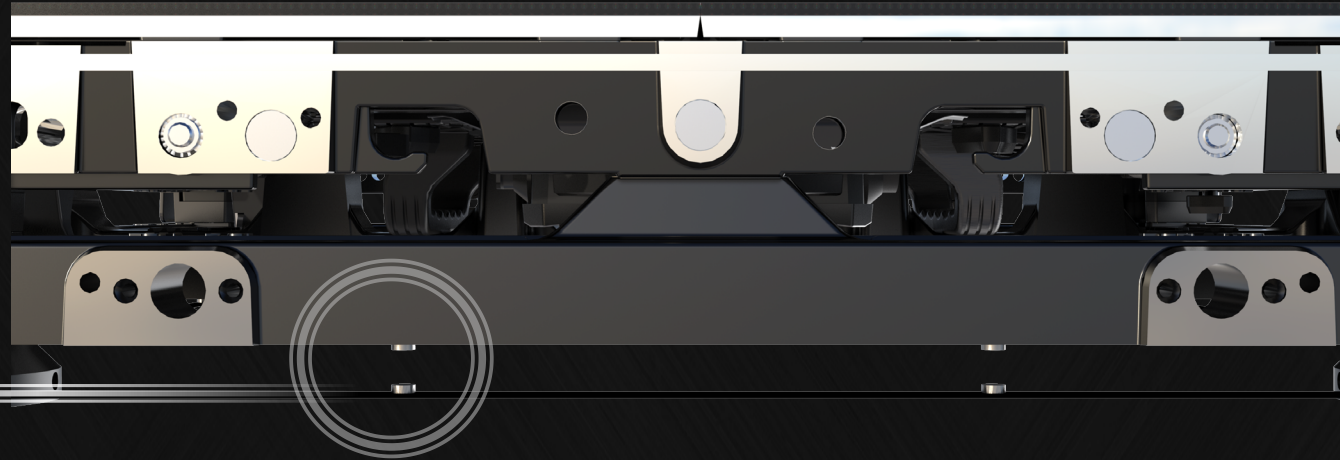
Lock fast-lock
Highest Set

By loosening the fast lock to adjust the foot cup, can easily adjust the height

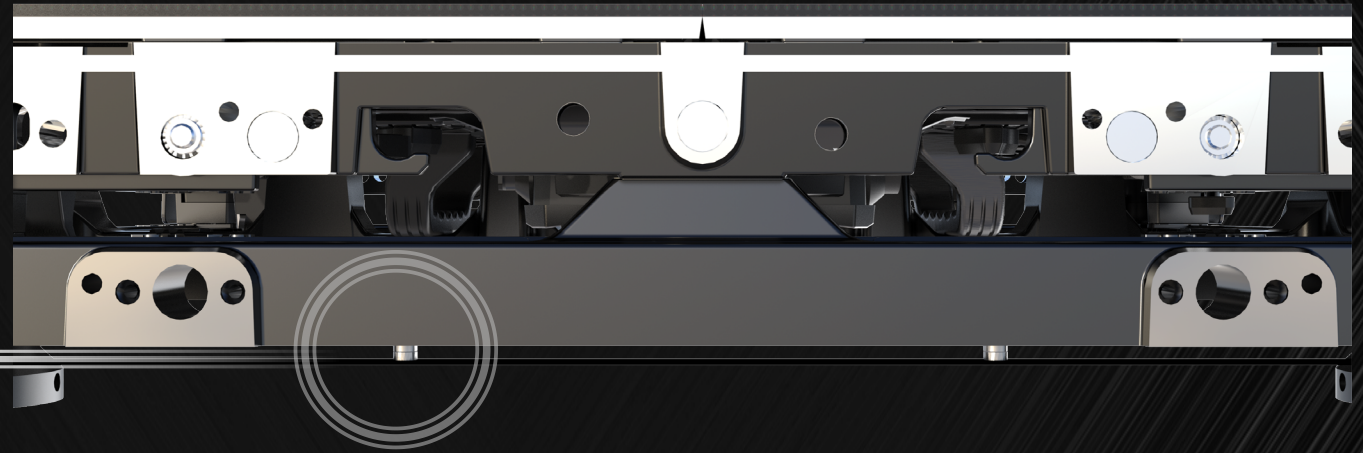


Also this makes it capable dealing with rough surface

Use the magnet
connect with Floor tile



Light strip assembly
completed



Floor tile light strip

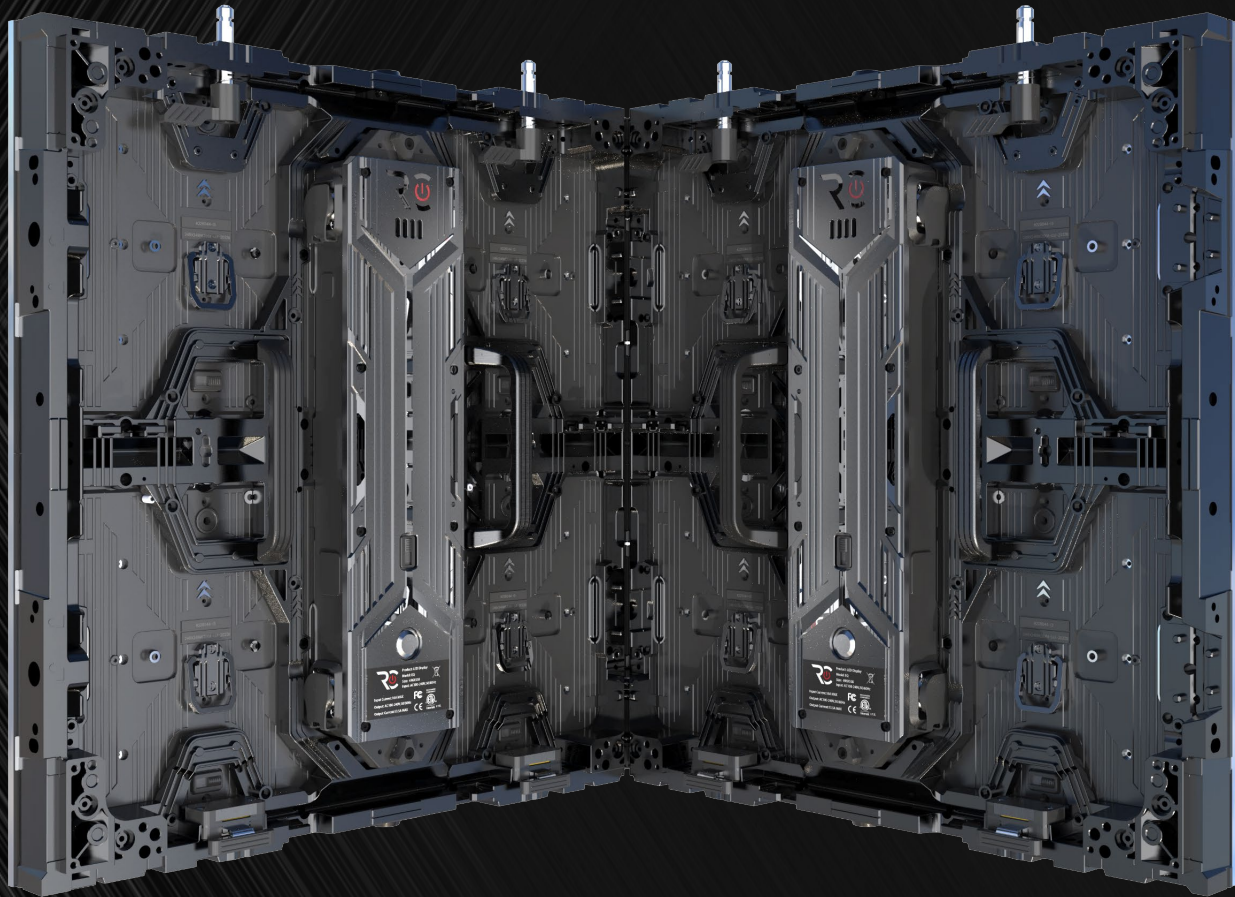




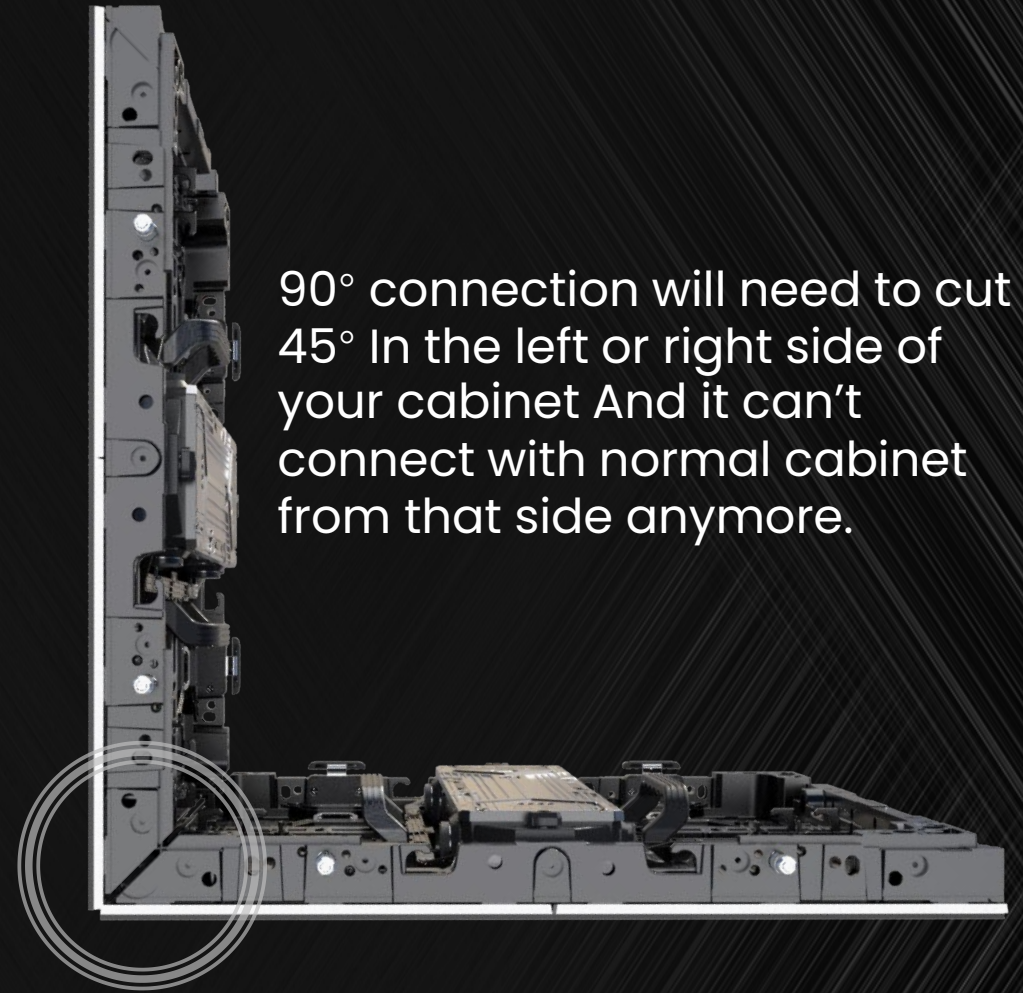
Eliminate Internal **Fire Risk**

FCP 1.4 (fire circuit protection 1.4) is the latest safety technology applied by Recience. In addition to fuses, it also added an automatic mini fire extinguisher in the power box to swiftly detect and extinguish the fire occurred inside

90° connection
Make your corner & cube



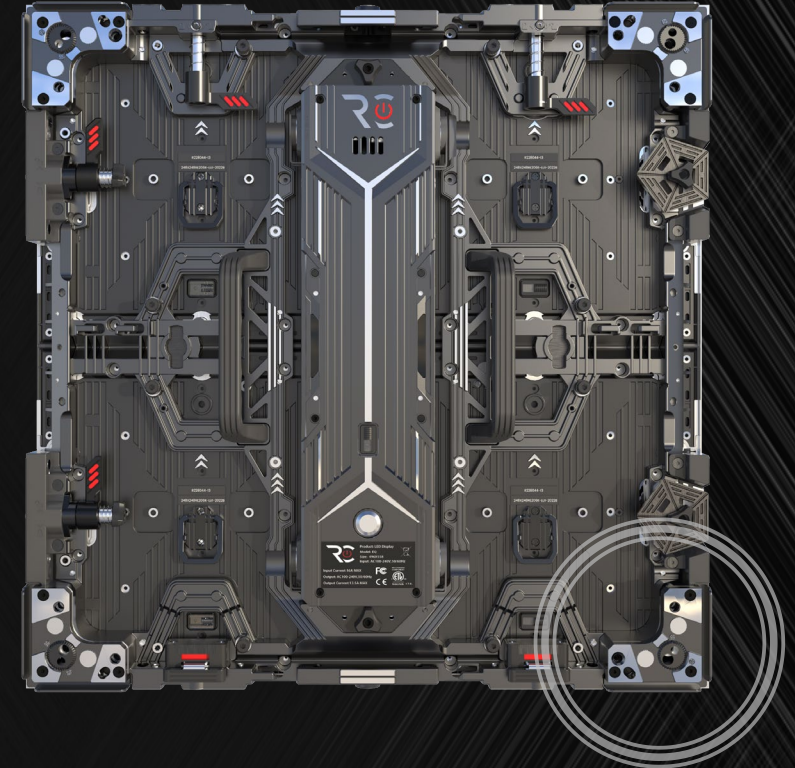
90° connection will need to cut 45° In the left or right side of your cabinet And it can't connect with normal cabinet from that side anymore.



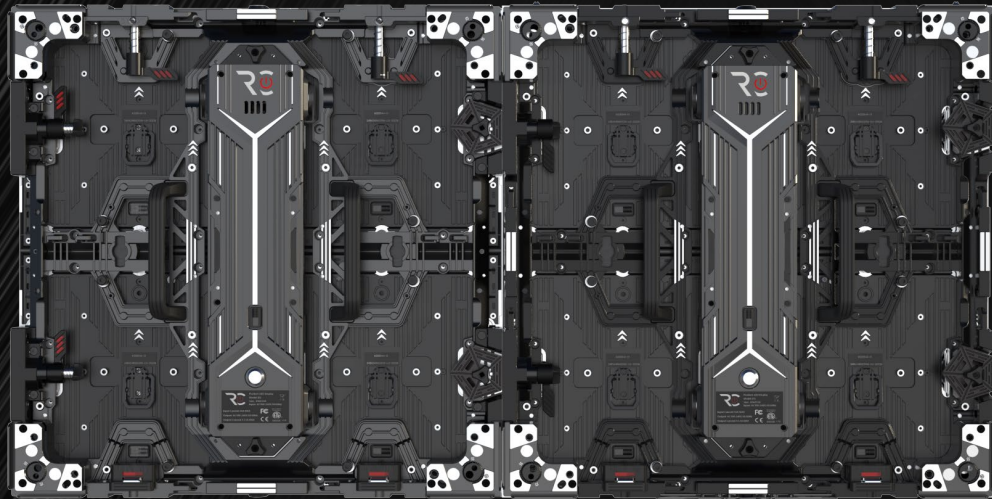
CNC Corner Filler



Use corner filler to turn 90 degree cabinet into normal cabinet

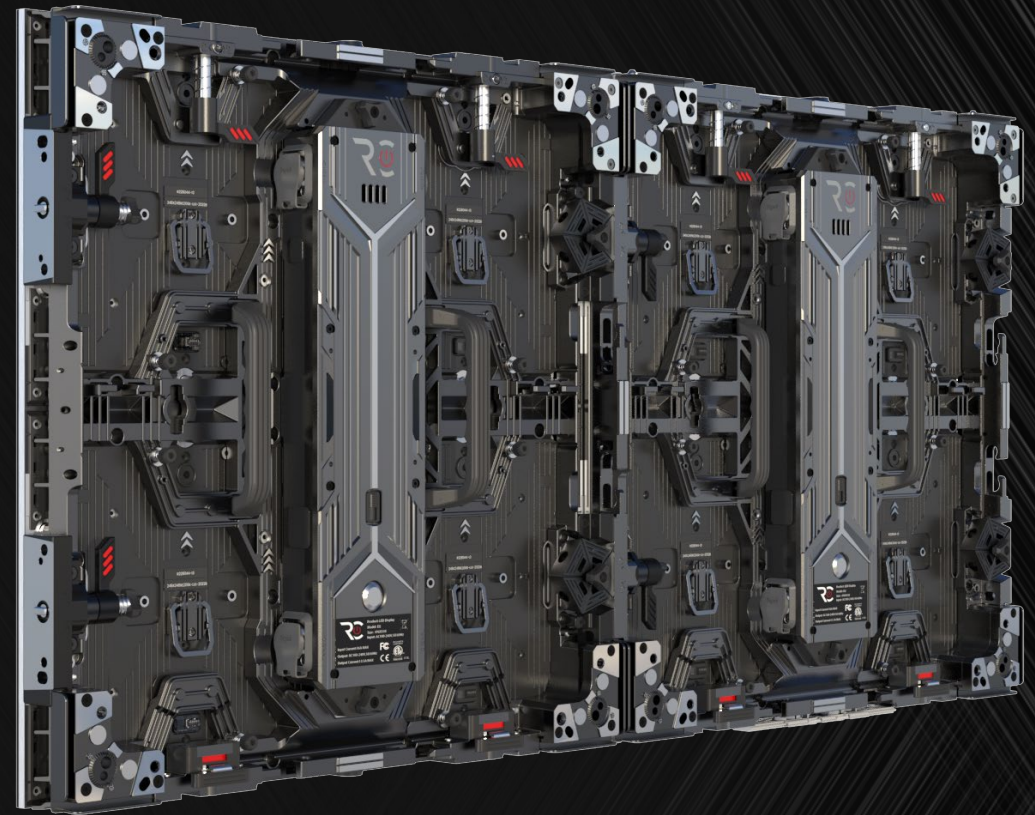
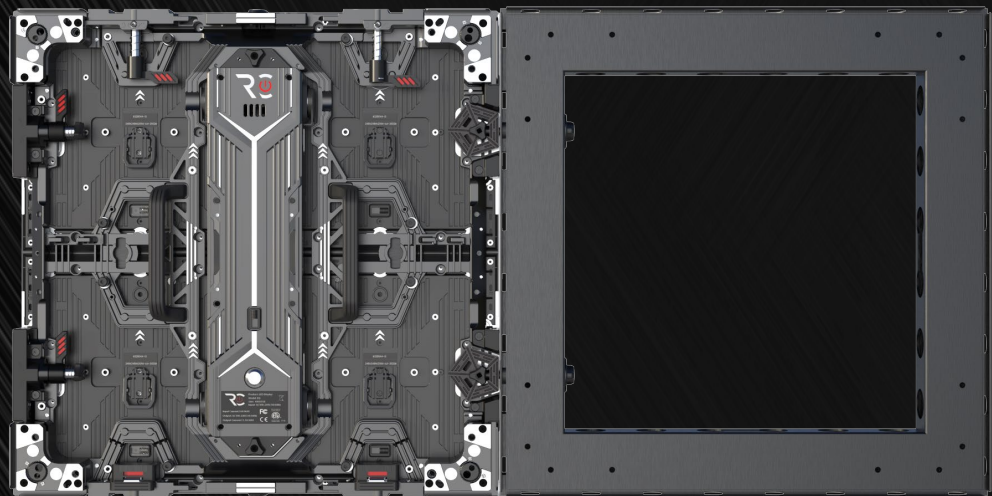


Able to attach 496 corner



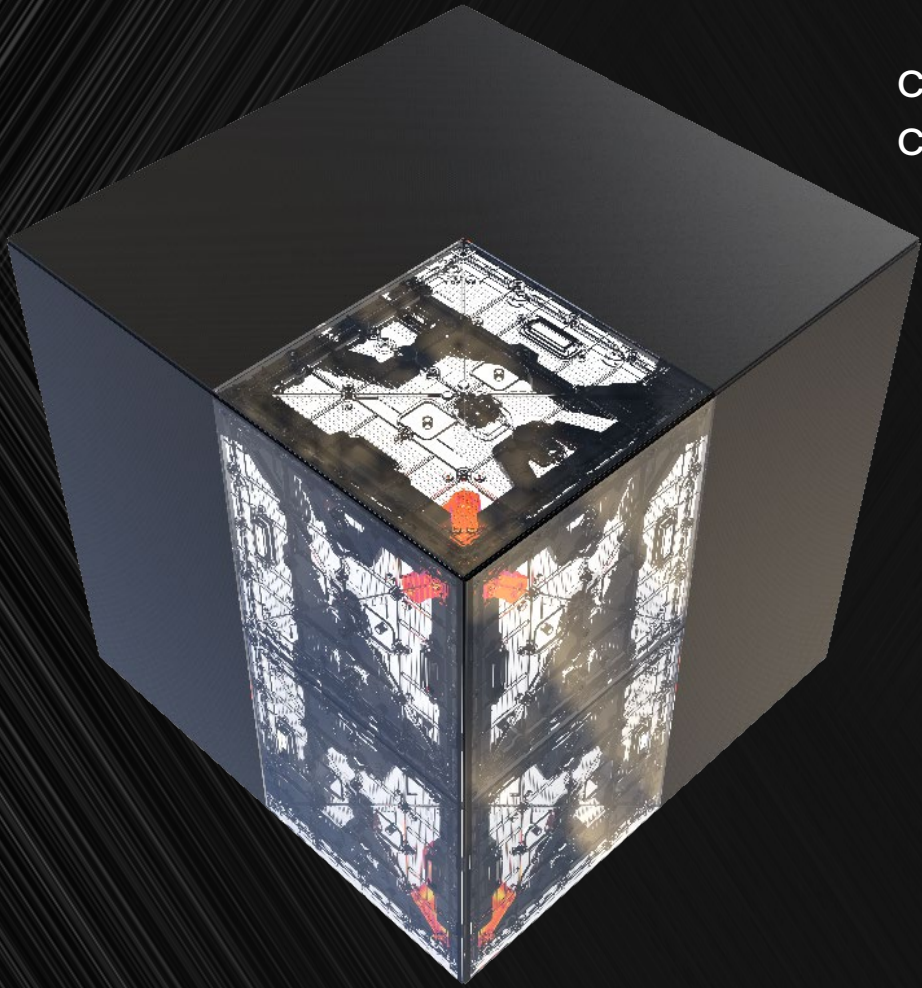
45° cut cabinet

cabinet/frame

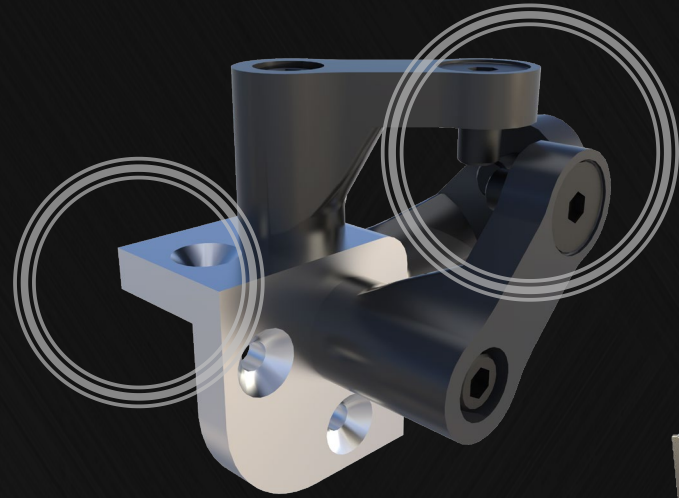


Able to connect with
normal cabinet & frame

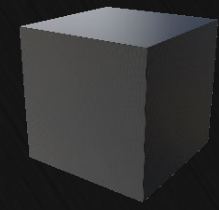
Cube Connector



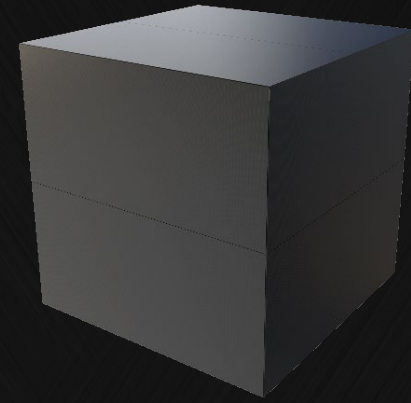
connect with
cube frame



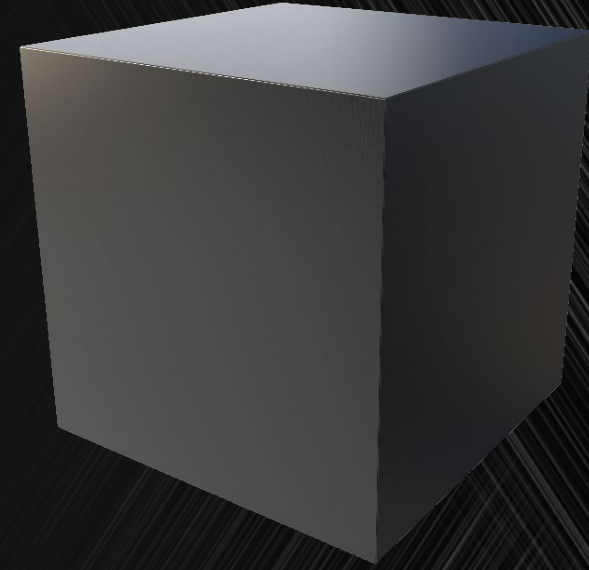
connect with cabinet



1*1 cube

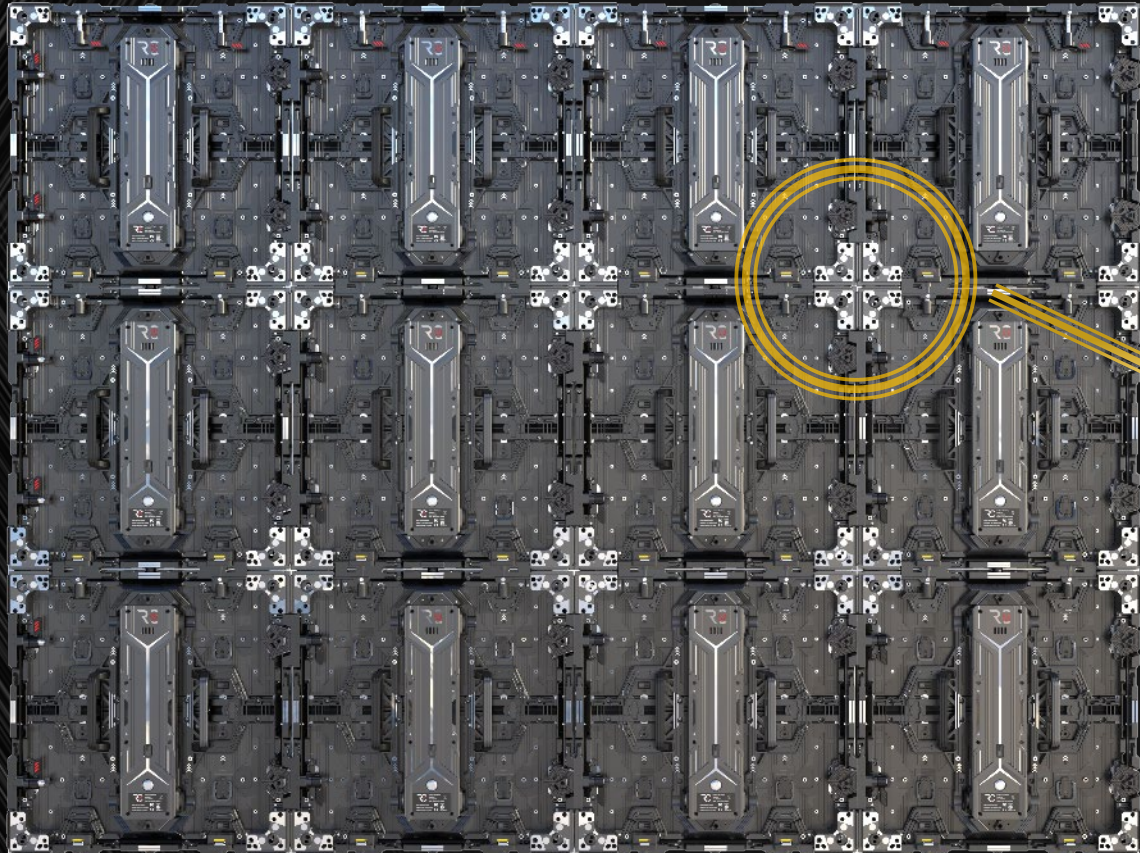


2*2 cube

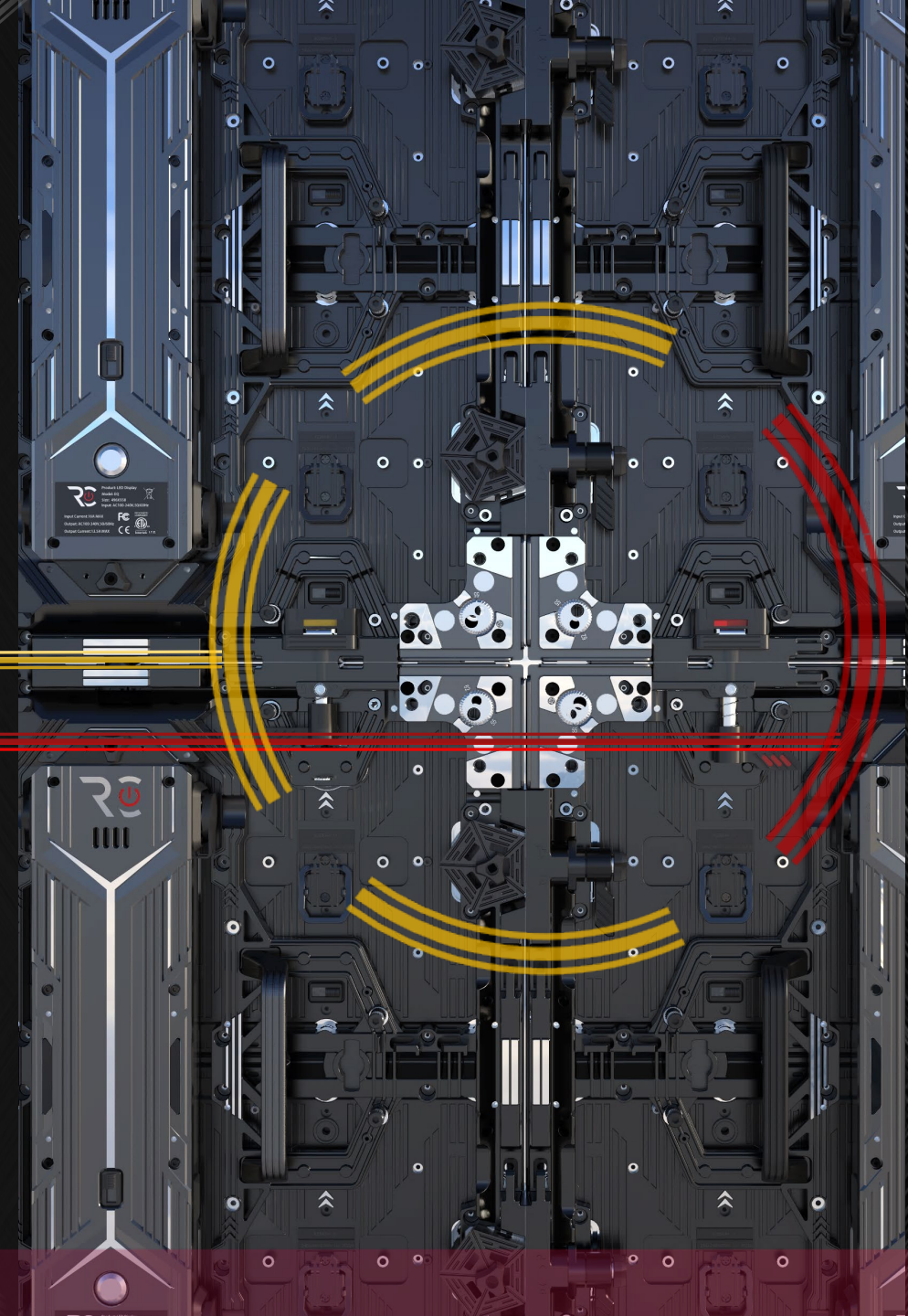


3*3 cube

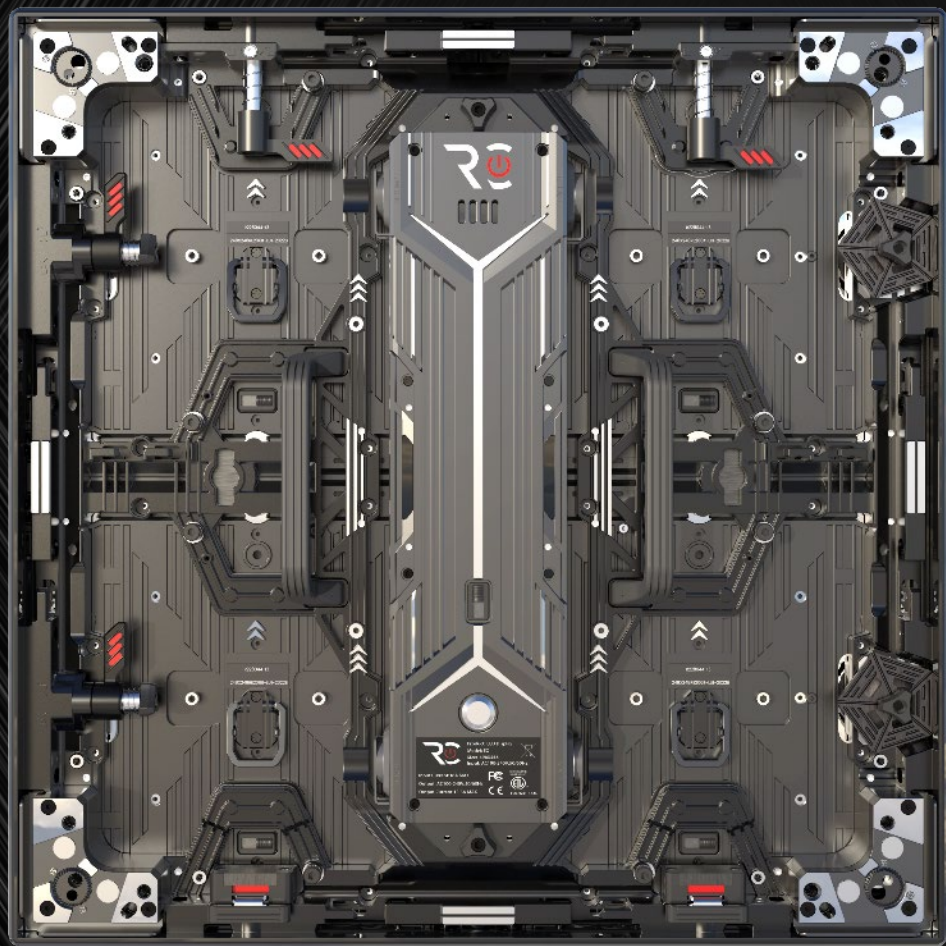
SAFETY LOCK



Locked
Unlocked



TRIM CONNECTOR



**Cabinet
connect hole**

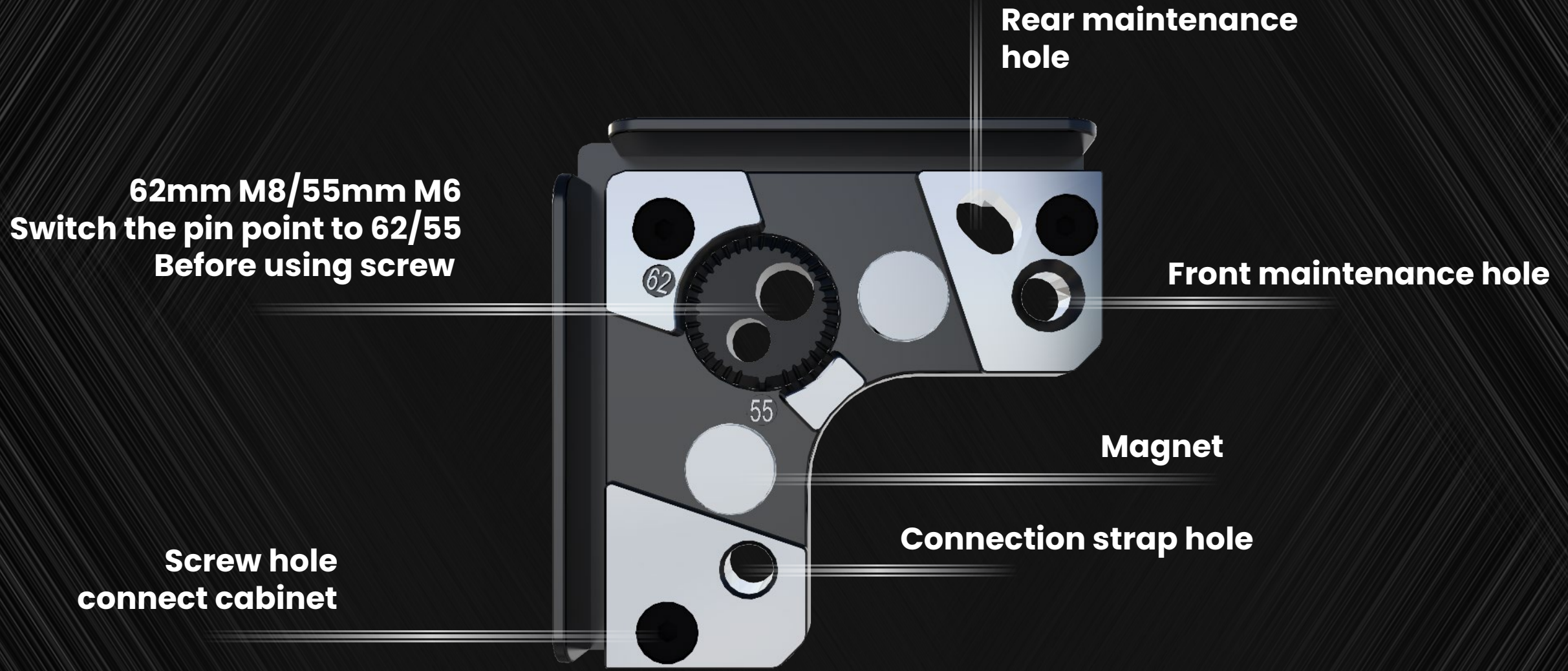


**Frame hole
snap-fit**

TRIM CONNECTOR

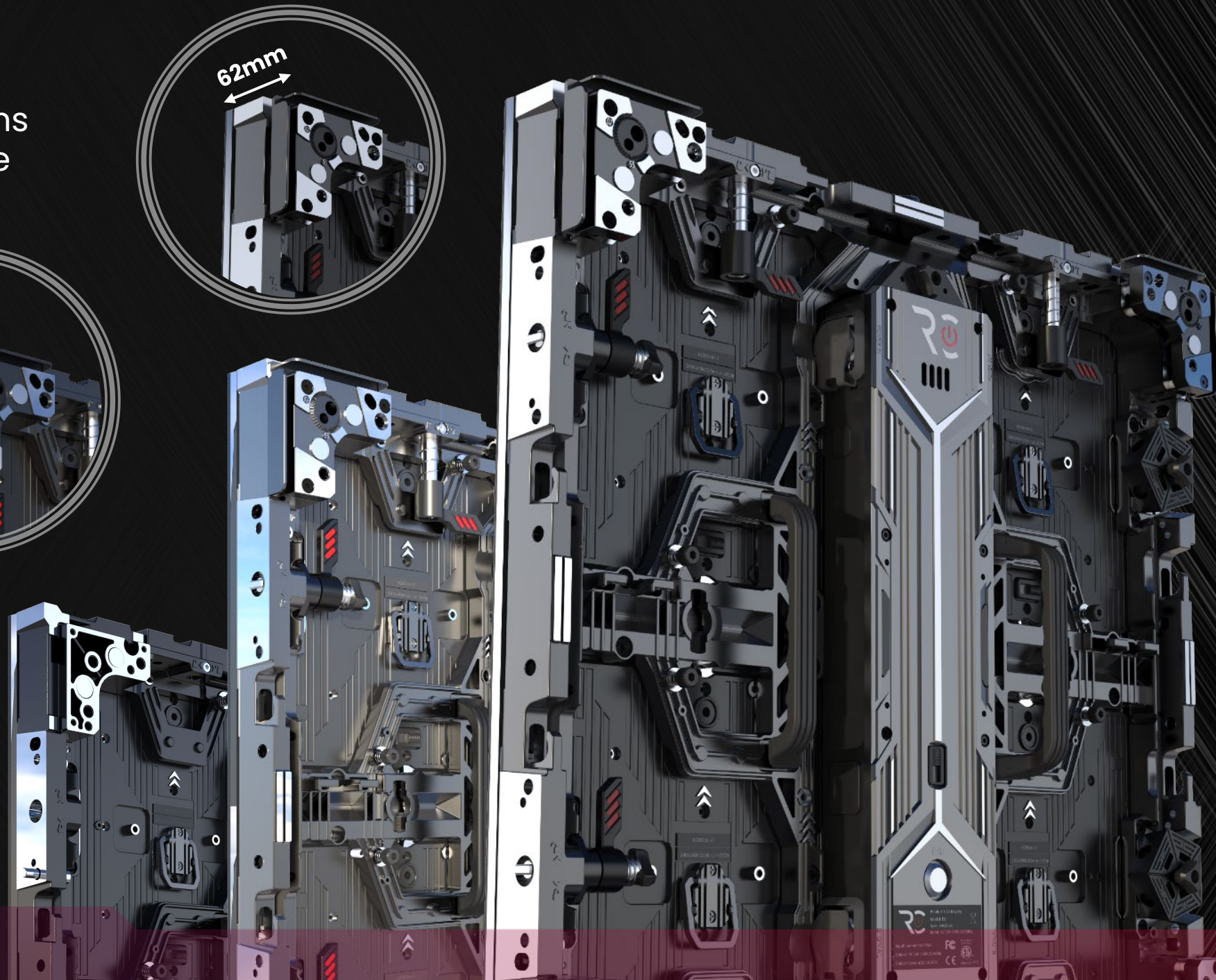
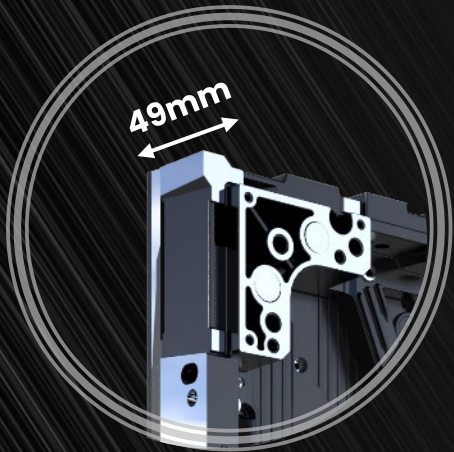
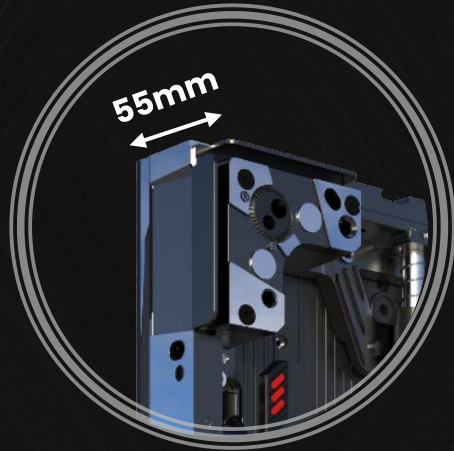
Can be used in RE frame





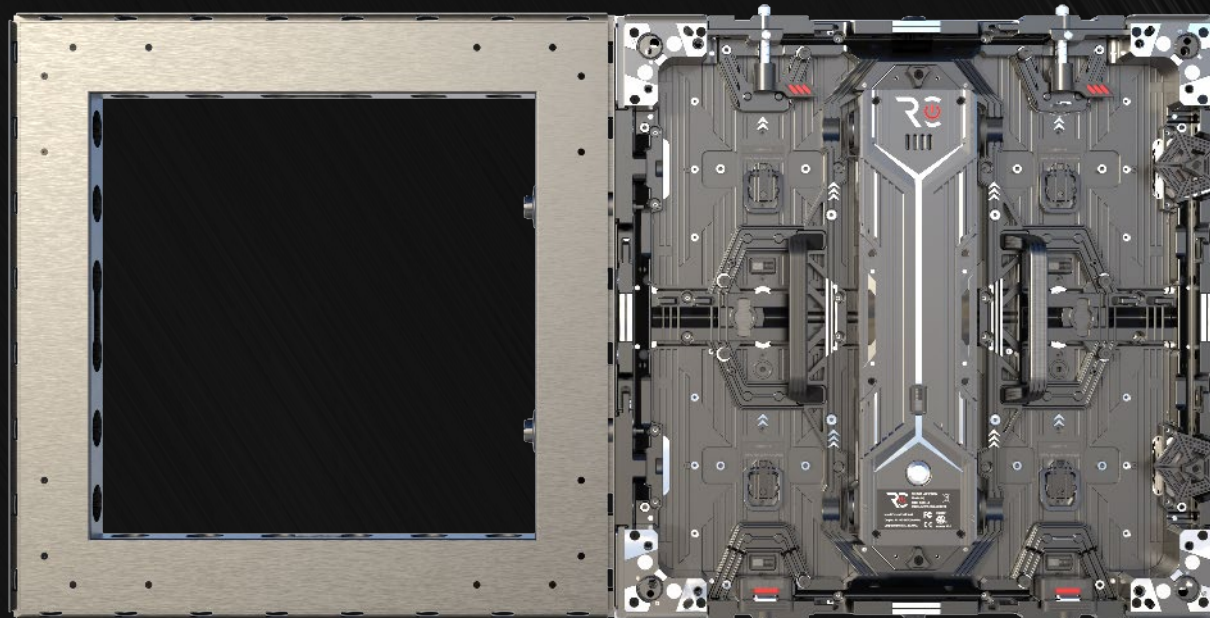
ADJUST THICKNESS

Adjust thickness by adding shims behind 496 Corner to match the different thickness frame



ADJUST THICKNESS

Compatible with
62mm/55mm
Frame System



55mm



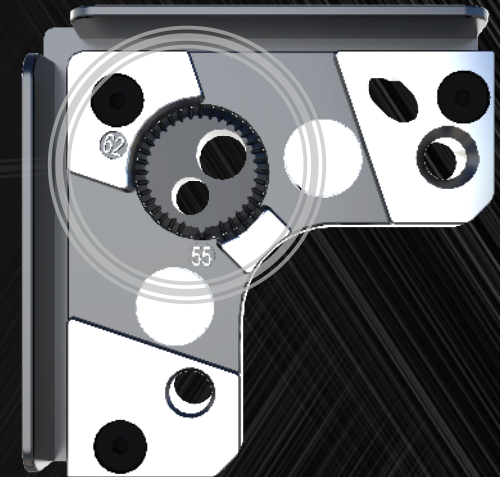
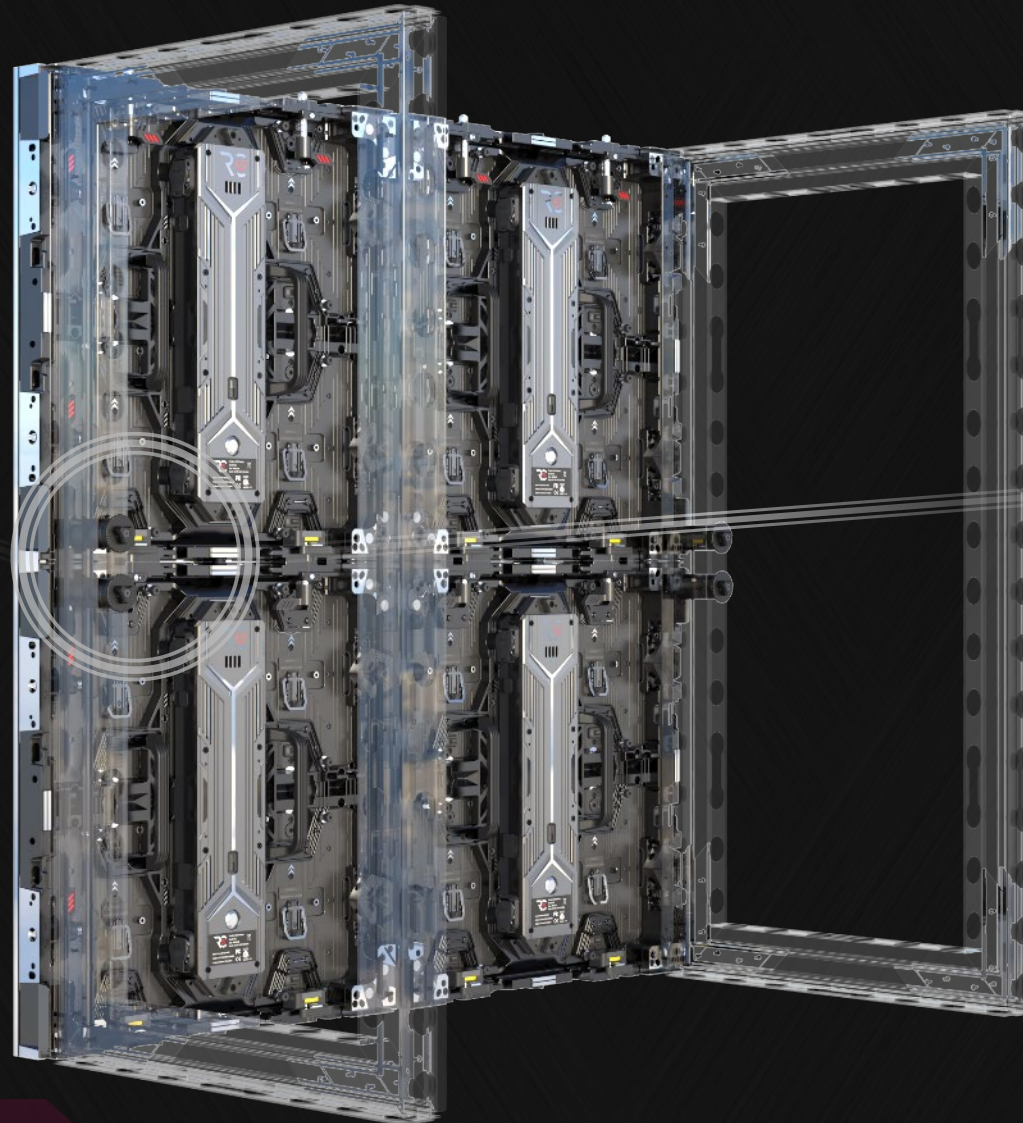
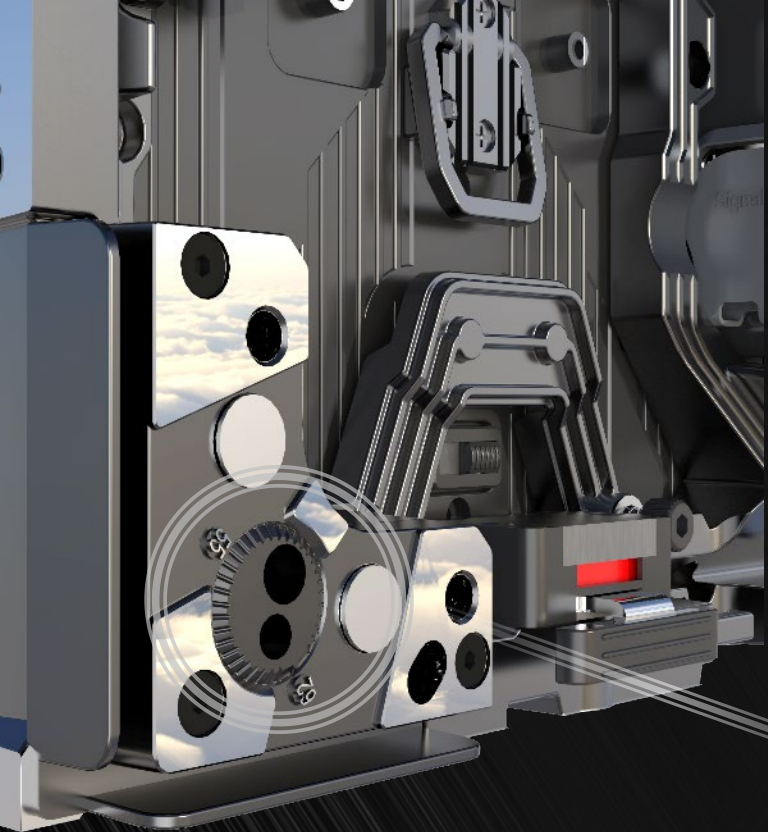
62mm

SWITCH SCREW HOLE

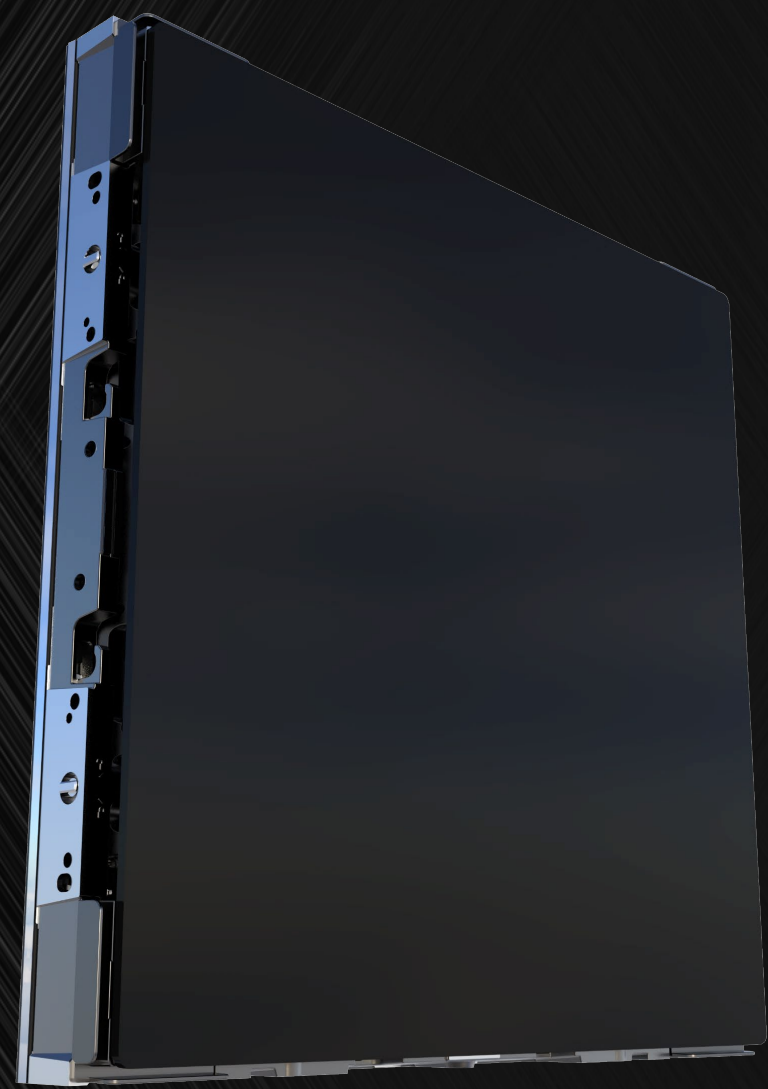
496x496mm size
Frame can't connect like this

Connect to 55mm
Frame, Switch pin
To '55' and use M6

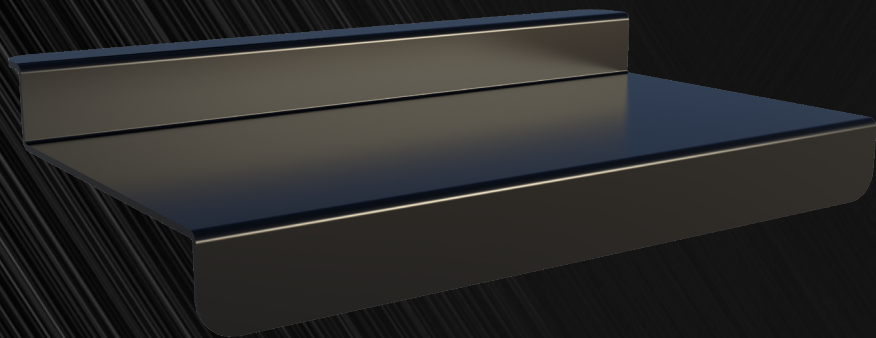
Connect to 62mm
Frame, Switch pin
To '62' and Use M8



Cover Plate extension
Attach to 496 corner magnet

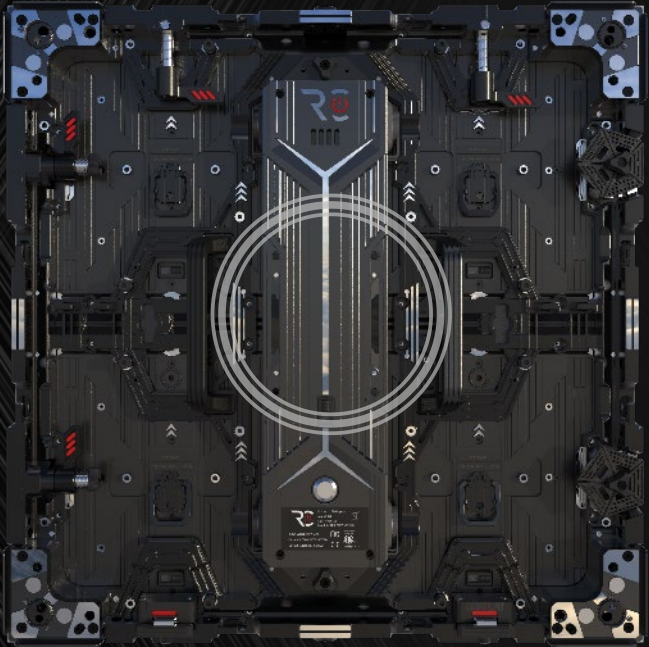


RE can be combined with display tray and hook to give the commodity a new display form, so that it can be integrated with the media broadcast, optimizing the effect of commodity display.



VESA MOUNT

Combine with monitor
arm to create a tree



+



=

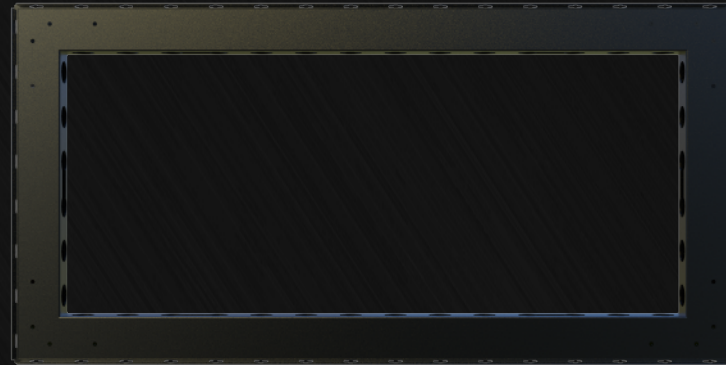


No need to worry about weight,
usual arm can handle it

Frame size customizable



496x496mm



496x992mm

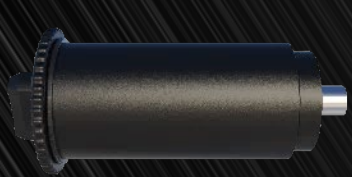
Fast Cable Holes



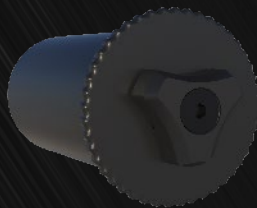
M8 hole

M6 hole

Recommend only connecting one hole



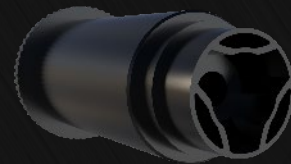
Pin



+



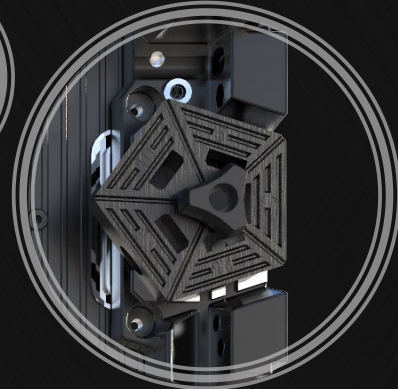
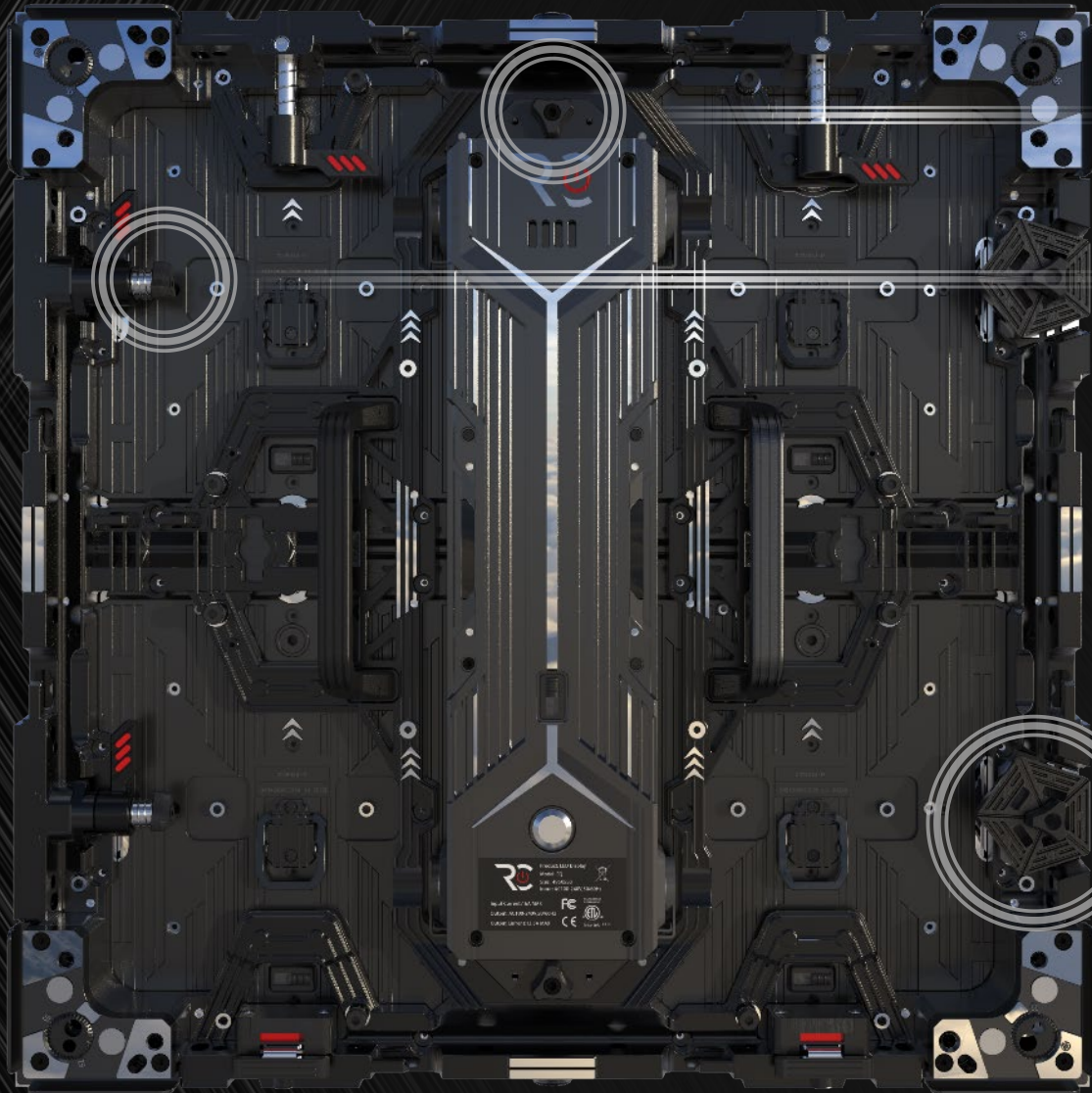
Lox



=



Pin Lox

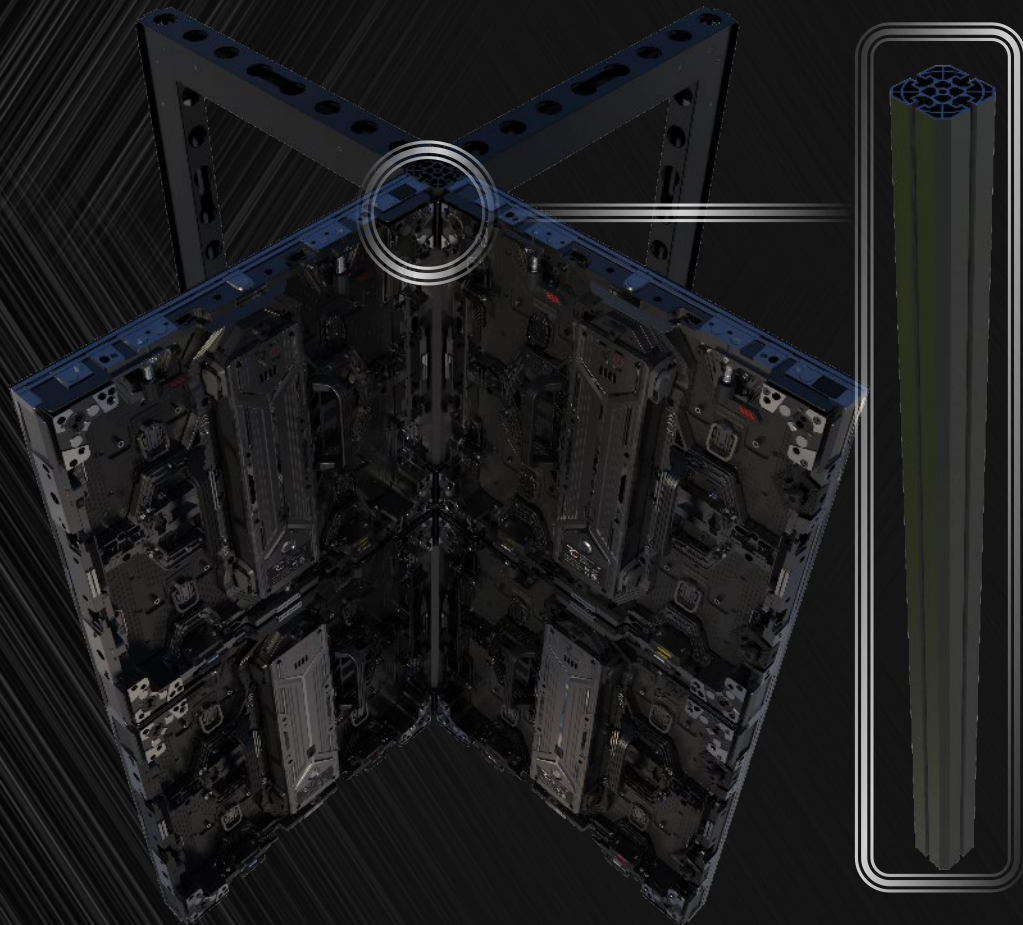


Use lox as a Screw driver

Also use lox to screw pin



Square profile used to 90° connect three or more cabinets/frames



One-quarter round profile used to 90° connect two cabinets/frames

Diecasting
Module

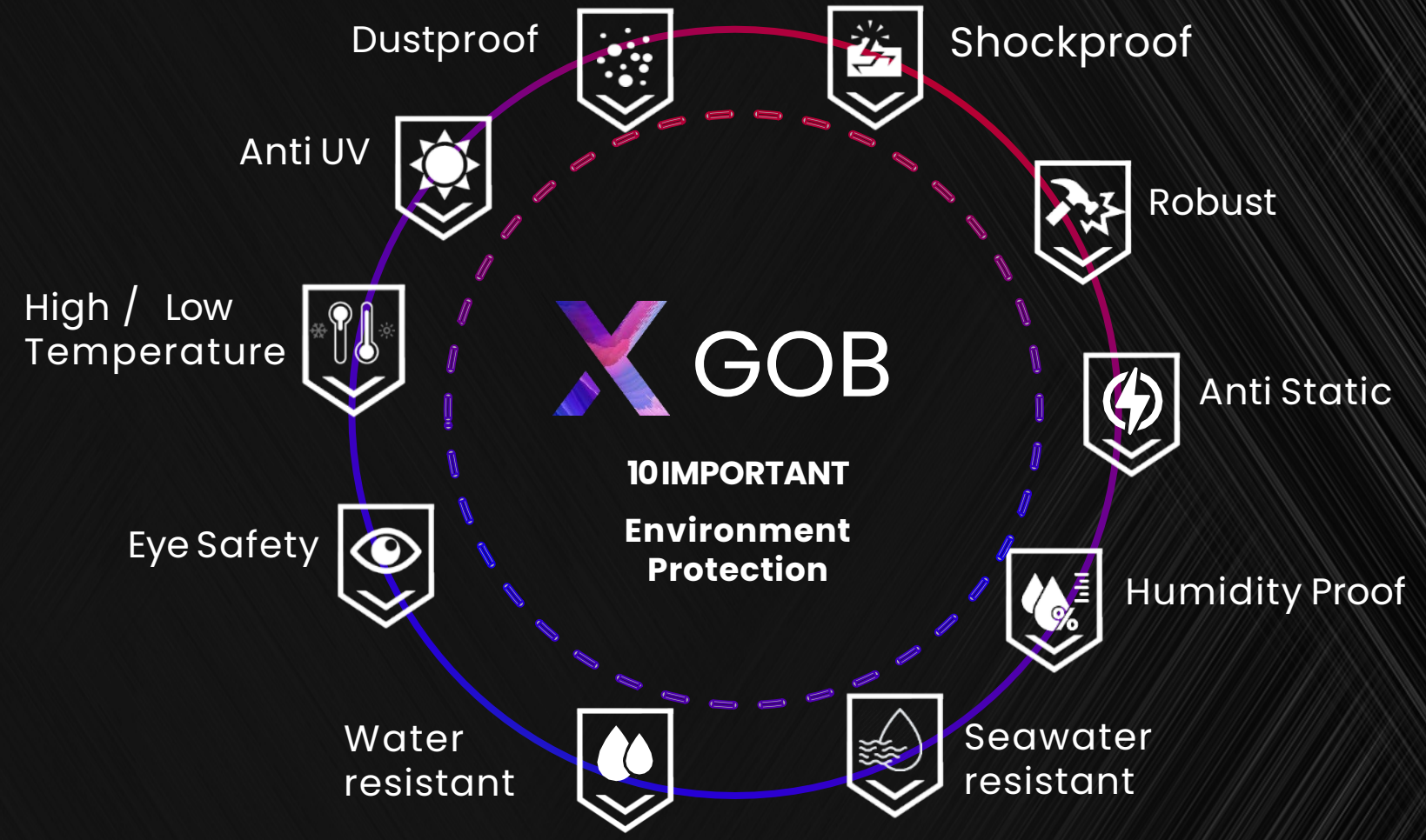
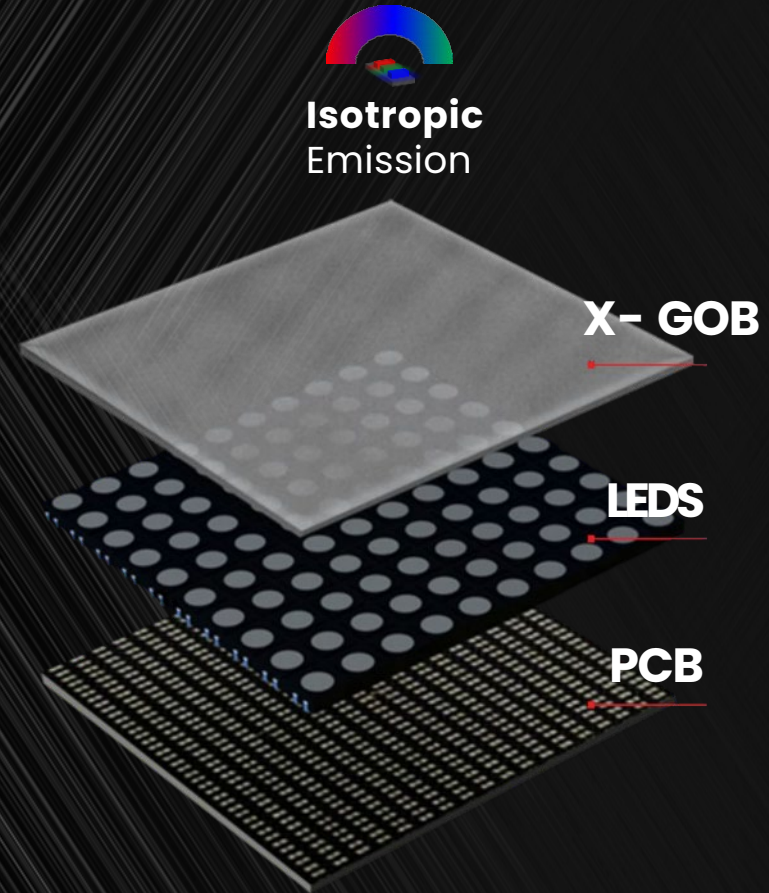


Diecasting
Module



Diecasting
Module





SUMMARY

- Decrease Cost Corner CNC
- Decrease Cost
- Decrease Cost Production
- 1 mold with many variations

- XYZ Adjustment
- More Easy Install
- More Easy Flatness
- Easy Add Functions

- Corner Fill Function
- Safety Lock Indication
- 45mm, 55mm, 62mm Thickness Adjustment
- SEG Slot Separation
- Back Cover Function
- Aluvision 55mm M6 bolt compatible
- Bematrix 62mm M8 bolt compatible
- NFC Tracking Function

